

AUXILIARY STROBE & STOP LAMP

FROM GROTE



GROTE LED



EASY INSTALLATION

MATERIALS:

HOUSING MATERIAL:
 78462(-3):BLACK POWDER-COATED CAST ALUMINUM
 79212(-3): ABS
 LENS MATERIAL:
 78462(-3):UV-STABLE CLEAR POLYCARBONATE
 79212(-3): ACRYLIC

ELECTRONIC CHARACTERISTICS:

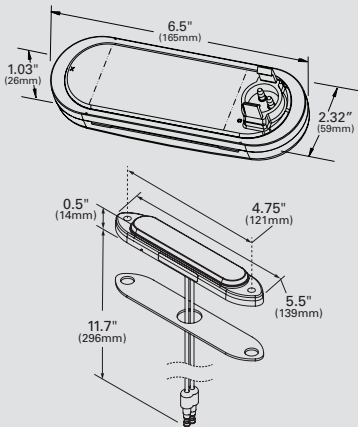
CONNECTOR TYPE:
 78462(-3): GROTE STANDARD .180 MALE BULLETS
 79212(-3): MALE PIN
 INPUT VOLTAGE: 12V

RATINGS AND COMPLIANCES:

SAE J595 CLASS II FOR AMBER WARNING
 SAE J186A SEP 1977 FOR SUPPLEMENTAL HIGH MOUNTED
 STOP & REAR TURN SIGNAL
 SAE J1889 JUL 2019 FOR LED SIGNAL AND MARKING LIGHT

PUT REAR-END ACCIDENTS IN THE REAR VIEW

Give following motorists greater warning of braking and increase your visibility with our new strobing warning light. Take safety to the next level with Grote's new Auxiliary Strobe & Stop Lamp.



FEATURES & BENEFITS

- Available in 2 mounting styles to fit a wide array of vehicles
- Several wiring options to fit all harness systems
- 5 amber flashes in 4 seconds, followed by a solid red burn
- Studies show that flashing brake lights can reduce rear-end accidents by more than 50%

PART #	DESCRIPTION	MOUNTING	VOLTAGE	PEAK AMPERAGE
78462	COMPACT AUXILIARY STROBE & STOP LAMP	SURFACE MOUNT	12V	0.4A
78462-3	COMPACT AUXILIARY STROBE & STOP LAMP BULK PACK	SURFACE MOUNT	12V	0.4A
79212	6" OVAL AUXILIARY STROBE & STOP LAMP	BRACKET OR GROMMET	12V	0.6A
79212-3	6" OVAL AUXILIARY STROBE & STOP LAMP BULK PACK	BRACKET OR GROMMET	12V	0.6A



EZ-FIND
 SCAN FOR TECH SPECS,
 RELATED PRODUCTS
 AND MORE

**FOR MORE INFORMATION
 VISIT OUR WEBSITE.
 GROTE.COM**

