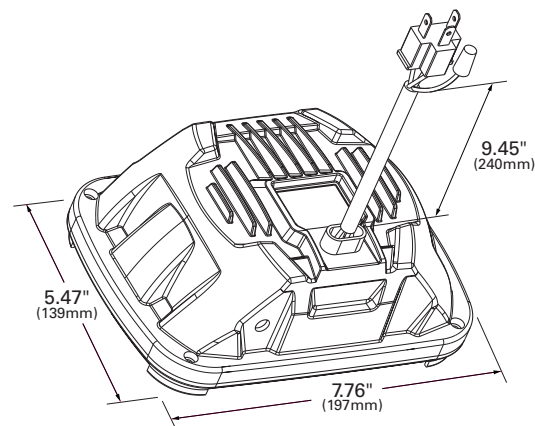


HEATED 5"X7" LED SEALED BEAM HEADLIGHT



DATA SHEET

FORWARD LIGHTING



Upgrade to bright, efficient LED lighting with Grote's Heated 5"X7" LED Sealed Beam Headlight – a direct replacement for 5"X7" halogen headlights.

- These lamps meet U.S. DOT FMVSS 108 and Canadian TC CMVSS 108 legal requirements.
- Improves the driving experience by providing better detail and reducing eye fatigue, decreasing the chance for accidents
- Designed for a standard H4 connection, no additional wiring needed for vehicles featuring standard H4 wiring
- Long-lasting LEDs outperform OEM halogen and incandescent bulbs in longevity, light output, and pattern
- Heated lens is designed to melt snow and ice in minutes
- Heated function activates automatically to melt snow and ice

PRODUCT SPECIFICATIONS

MATERIALS:

Housing Material: Die-Cast Aluminum
Lens Material: Glass

ELECTRONIC CHARACTERISTICS:

Connector Type: H4
Voltage: 12–30VDC

POWER DRAW:

Low Beam:
Heat On: 3.2A at 12V, 39W
Heat Off: 0.92A at 12V, 11W

High Beam:
Heat On: 4.5A at 12V, 54W
Heat Off: 2.7A at 12V, 32W

Parking:
0.09 at 12V, 3W

RATINGS AND COMPLIANCES:

FMVSS 108
Ingress Protection: IP67

VMRS CODE:

034-001-151

PART NUMBER	DESCRIPTION	VOLTAGE
64H81-5	HEATED 5"X7" LED SEALED BEAM HEADLIGHT	12V-30V

FOR MORE
INFORMATION
VISIT **GROTE.COM**

Grote Industries, Inc. 2600 Lanier Drive, Madison, Indiana U.S.A. 47250-0550
U.S. **800.628.0809** | Europe **+49 9422 40331-0** | China **+86.21.5774.9633**
Canada **800.268.5612** | Mexico **+(52) 818262 4412**



HEATED 5"X7" LED SEALED BEAM HEADLIGHT



DATA SHEET

FORWARD LIGHTING

LOW BEAM

525 + FT | 160 + M

100 + FT
30 + M



HIGH BEAM

1230 + FT | 375 + M

130 + FT
40 + M



FOR MORE
INFORMATION
VISIT GROTE.COM

Grote Industries, Inc. 2600 Lanier Drive, Madison, Indiana U.S.A. 47250-0550
U.S. 800.628.0809 | Europe +49 9422 40331-0 | China +86.21.5774.9633
Canada 800.268.5612 | Mexico +(52) 818262 4412

