

# Trilliant® Mini LED WhiteLight™ Work Lamp

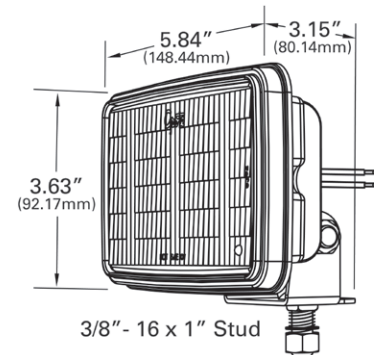
Product Information Sheet

FORWARD LIGHTING



**LED WhiteLight** BETTER LIGHT  
BETTER PERFORMANCE  
INNOVATION by Grote Industries, Inc.

**Trilliant**  
mini™



50,000 hour LED WhiteLight™ for long lasting service

## PRODUCT FEATURES AND BENEFITS

- Long-lasting, high-output LED WhiteLight™ work lamp
- Optional beam patterns available
- Durable rugged construction
- Low power consumption
- Greater Lumen output with lower power consumption than leading competitors version
- Polycarbonate hard-coated lens provides many years of service
- Versatile spot, trapezoid and flood patterns available for application specific needs
- Sun like color temperature provides a natural contrast, reducing eye fatigue and optimizing job performance

## PRODUCT SPECIFICATIONS

**MATERIAL:** DIE CAST HOUSING, POLYCARBONATE LENS  
**FINISH:** BLACK

Part Number	Beam Pattern	Light Source	Operating Voltage	Amperage	Interchange
63601	SPOT	LED	14V	1.4A	TL 81360 12.5V
63611	FLOOD	LED	14V	1.4A	
63621	TRAPEZOID	LED	14V	1.4A	
63731	SPOT	LED	28V	.7A	TL 81240 24V
63741	FLOOD	LED	28V	.7A	
63751	TRAPEZOID	LED	28V	.7A	

[grote.com](http://grote.com)

2600 Lanier Drive, Madison, Indiana U.S.A. 47250-0550  
U.S. **800-628-0809** Canada **800-268-5612**  
Mexico **011 (52) 81-8262-4400** Europe **+49 9962 / 20008-0**

**Grote**

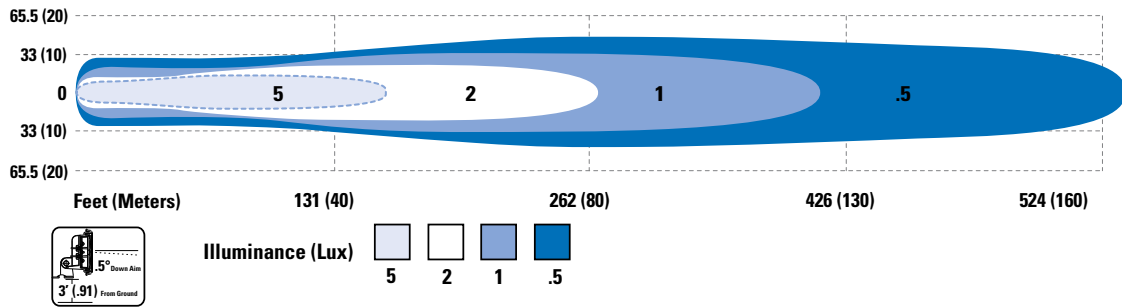
The first name in vehicle  
safety systems®

# Trilliant® Mini LED WhiteLight™ Work Lamp

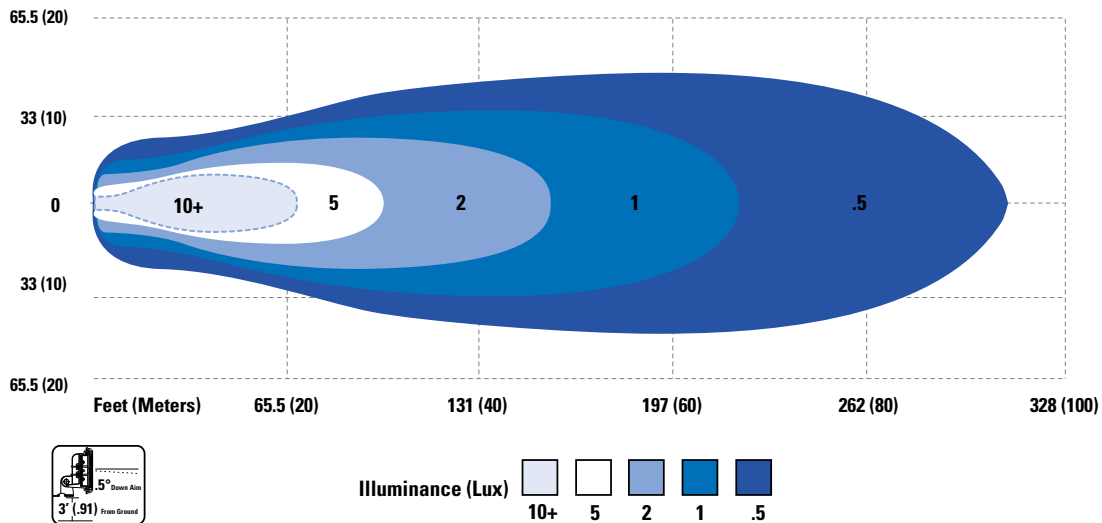
Product Information Sheet

FORWARD LIGHTING

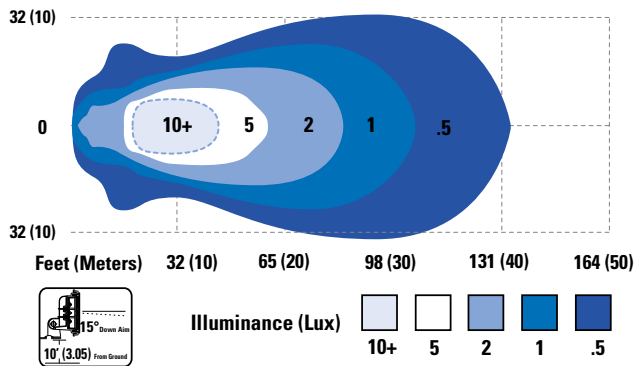
## Spot - Puntual - à faisceau dirigé - 63601/63731



## Trapezoid - Trapezoidal - à faisceau trapézoïdal - 63621/63751



## Flood - Reflector - à illumination - 63611/63741



grote.com

2600 Lanier Drive, Madison, Indiana U.S.A. 47250-0550  
 U.S. 800.628.0809 Canada 800.268.5612  
 Mexico 011 (52) 81-8262-4400 Europe +49 9962 / 20008-0

**Grote**

The first name in vehicle safety systems®