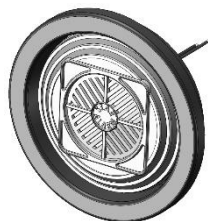


# 63 SERIES BACK-UP ALARMS

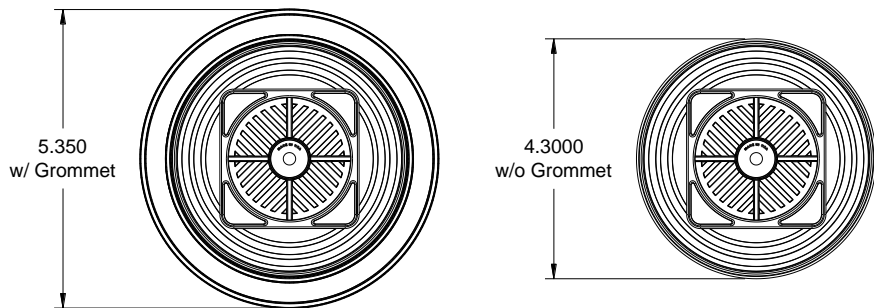


**IMPORTANT:** Please read all of the following instructions before installing your new Star back-up alarm. This instruction sheet applies only for installation of the models listed above **on negative ground vehicles only.**

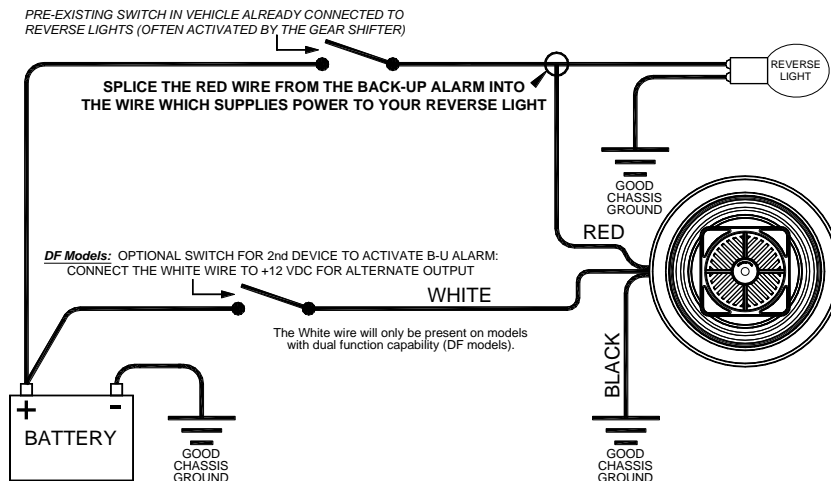
**CAUTION:** All of our DC powered back-up alarms are polarity sensitive. All wires connected to the positive terminal of the battery should be fused at the battery for their rated load. **Testing the alarm before this fuse is properly installed will void the warranty on the alarm.**

*Dual Tone units emit an alternating high/low tone.  
Auto-Adjusting units will automatically adjust the output volume based upon the ambient noise.*

- CAUTION:** All of our DC powered back-up alarms are polarity sensitive. All wires connected to the positive terminal of the battery should be fused at the battery for their rated load. **Testing the alarm before this fuse is properly installed will void the warranty on the alarm.**
- Mount the alarm in the rear of the vehicle with the sound opening outward towards the hazard zone. This alarm is designed to mount in a standard 4½" mounting hole.
- Connect the black wire to the negative side of the battery or a good chassis ground.
- Connect the red wire to an independent actuating switch or splice it into the back-up lights. **Please Note:** *The vehicles supply voltage must be the same as the voltage rating specified on the alarm you are installing. Any other voltage applied will void the warranty.*
- For models with a 3-Wire Cable:** The white wire is used for an alternate output. Connect it to the positive side of your power through the switch that controls the alternate function.



**4" Round Back up Alarm**  
Requires 4 1/2" diameter hole and 1 3/4" clearance behind.



**ONE YEAR LIMITED WARRANTY**

Star Safety Technologies warrants each new product against factory defects in material and workmanship for one year after the date of purchase. The owner will be responsible for returning to the Service Center any defective item(s) with the transportation costs prepaid. Star Safety Technologies will, without charge, repair or replace *at its option*, products, or part(s), which its inspection determines to be defective. Repaired or replacement item(s) will be returned to the purchaser with transportation costs prepaid from the service point. A copy of the purchaser's receipt must be returned with the defective item(s) in order to qualify for the warranty coverage. Exclusions from this warranty include, but are not limited to, bulbs, strobe tubes, domes, and/or the finish. This warranty shall not apply to any light, which has been altered, such that in Star Safety Technologies's judgment, the performance or reliability has been affected, or if any damage has resulted from abnormal use or service.

There are no warranties expressed or implied (including any warranty of merchantability or fitness), which extend this warranty period. **The loss of use of the product, loss of time, inconvenience, commercial loss or consequential damages, including costs of any labor, are not covered.** Star Safety Technologies reserves the right to change the design of the product without assuming any obligation to modify any product previously manufactured.

This warranty gives you specific legal rights. You might also have additional rights that may vary from state to state. Some states do not allow limitations on how long an implied warranty lasts. Some states do not allow the exclusion or limitation of incidental or consequential damages. Therefore, the above limitation(s) or exclusion(s) may not apply to you.

**If you have any questions concerning this or any other Star product, or need warranty service, please contact our Customer Service Department at (585) 226-9787.**



455 Rochester Street Avon, NY 14414  
585-226-9500 (F) 888-478-2797  
www.StarSafetyTechnologies.com

