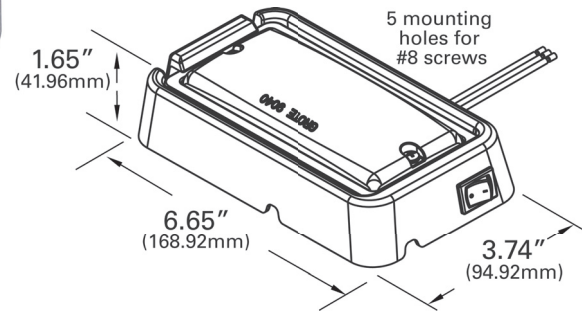


Combination Dome Lamp with Surface Mount Switched Bracket

Product Information Sheet

INTERIOR LIGHTING



- Red or Blue LED light produces less visual glare while White LEDs produce a bright work area

PRODUCT FEATURES AND BENEFITS

- LED lamp is rated to 50,000 hours
- Low heat will not melt lens
- Encapsulant potting for total circuit board protection against moisture and corrosion
- Easy installation with surface mount switched bracket
- With an "off, on (white), on (red or blue)" switch on the assembly, there is no need for remote switching
- Kit comes partially assembled for efficient mounting

PRODUCT SPECIFICATIONS

MATERIAL: ALUMINUM/POLYCARBONATE
FINISH: BLACK
VOLTAGE AMP: 10V - 32V / 12.8V @ .25A/25.6V @ .14A

Part Number	Market	Light Source	Operating Voltage	Amperage	Interchange
61F30 Red/White	Truck/Trailer	LEDs	10V-32V	12.8V@.25A / 25.6V@.14A	NA
61F40 Blue/White	Truck/Trailer	LEDs	10V-32V	12.8V@.25A / 25.6V@.14A	NA

grote.com

2600 Lanier Drive, Madison, Indiana U.S.A. 47250-0550

U.S. 800.628.0809 Canada 800.268.5612

Grote

The first name in vehicle safety systems®