

LED Stepwell Lamp Assembly

Product Data Sheet

60571

August 2007

LED WhiteLight™ BRIGHTER LIGHT
BETTER PERFORMANCE
INNOVATION by Grote Industries, Inc.



- Electronics completely encapsulated with durable epoxy for maximum environmental protection
- Same mounting as popular Incandescent versions

Product Features and Benefits:

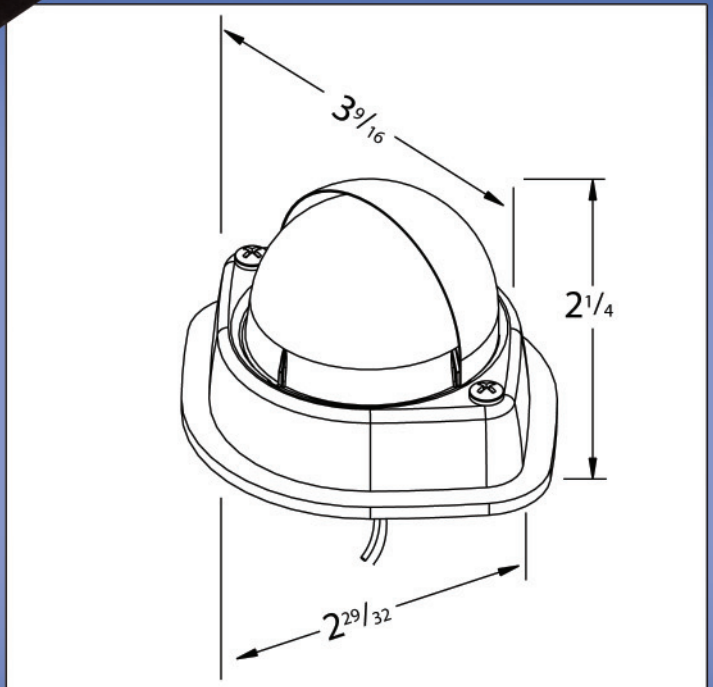
- Improved gaskets
- Replaces popular incandescent versions
- Popular connections can be added
- Designed for bus electronics

Product Specs

Material: Stainless Steel, Polycarbonate
Black Foam Gasket

Finish: Stainless

FMVSS Code: ADA Compliant



Part Number	Market	Light Source	Operating Voltage	Current Draw	Interchange
60571	NA	LED	14.0	300 mAMPS	NA

Grote

The first name in
vehicle safety systems®

2600 Lanier Drive Madison, Indiana U.S.A 47250-0550
U.S. 800.457.9540 Canada 800.268.5612

www.grote.com