

# 4" LED WhiteLight™ Dome Lamp

Data Sheet

INTERIOR LIGHTING



Pictured with integrated flange

## PRODUCT SPECIFICATIONS

**MATERIAL**

Polycarbonate

**FINISH**

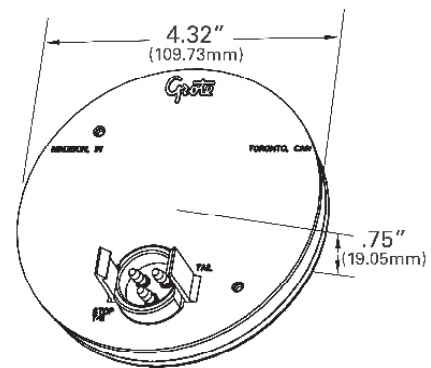
Clear / Clear

**VOLTAGE AMP**

12V – 0.6A, 24V – 0.3A

**PIGTAIL**

66815, 66845, 67005



## Brighter than any 4" dome lamp on the market today

- Uses 70% less power than incandescent options
- Integrated flange for easy installation
- 2X Brighter than 61971 and 61141
- Brighter than any 4" dome lamp on the market today
- Male Pin for multiple pigtail and connection options

Part Number	Market	Light Source	Operating Voltage	Amperage	Interchange
61E01 integrated flange	Truck/Trailer/Body/Emergency	LEDs	12V	.6A	NA
61E11 integrated flange	Truck/Trailer/Body/Emergency	LEDs	24V	.3A	NA
61E41 grommet mount	Truck/Trailer/Body/Emergency	LEDs	12V	.6A	NA
61E51 grommet mount	Truck/Trailer/Body/Emergency	LEDs	24V	.3A	NA

2600 Lanier Drive, Madison, Indiana U.S.A. 47250-0550

U.S. **800.628.0809** Canada **800.268.5612**

Europe **+49 9422 40331-0** Mexico **+(52) 818262 4412** China **+86.21.5774.9633**