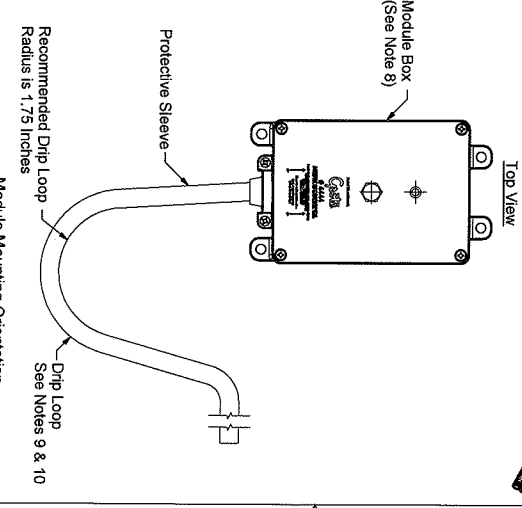
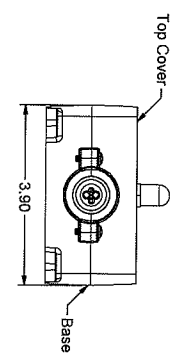
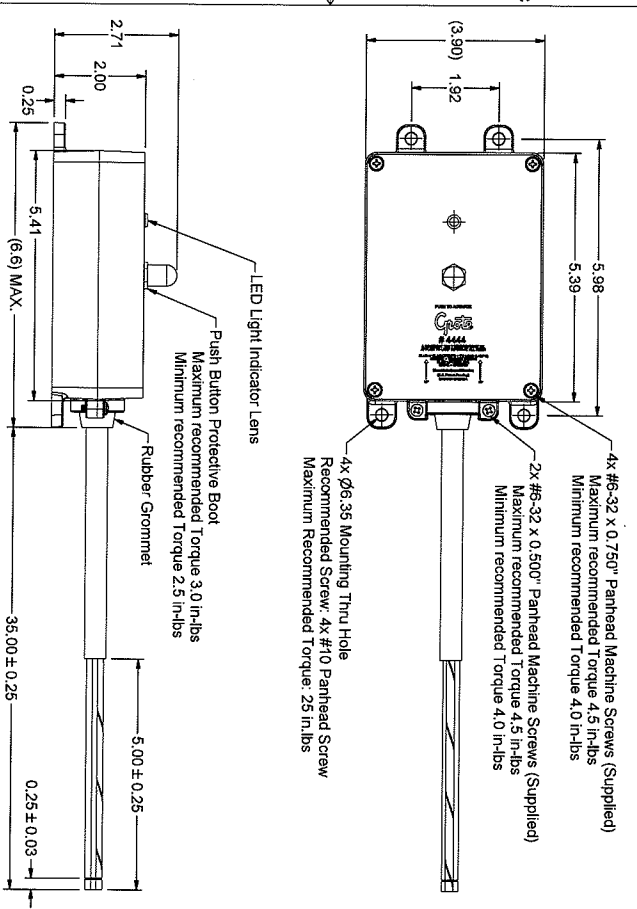


Note: Printed Copy is Uncontrolled

REV	DESCRIPTION	DATE	ESG NO. / REQ/CHG/DT
A	(0) Issued (1) Added "-02" to the Part Number	24 Jun 11	529705 / DGSVSDRB
B	(2) Packing details added to the DWG (3) Product Label information updated	12 Dec 12	542299 / JTRDRB
C	(4) Wire Type change from TEW to GPT in Chart (5) Clickie updated (Added text "PUSH TO ACTIVATE")	18 JUN 12	550774 / CP/CC

GROTE INDUSTRIES
 MADE IN CANADA
44440
 DATE CODE: BLUE - POSITIVE (B)
 BLUE - NEGATIVE (N)
 YELLOW - TRIGGER SWITCH
 ORANGE - TRIGGER SWITCH
 W/O. XXXXXXXX
 (Note: product label to be placed inside the module)

- Specifications:**
- Rated Voltage: 12.8 V D.C
 - Timer: 40 MIN. ± 10% Configurable
 - Operating Voltage Range: 9.0 V to 16.0 V D.C
 - Module Operating Temperature Range: -40°C to +85°C
 - Maximum Switching Current: 15 Amps
 - Accuracy: Increments of +0.007Hz (7/1000 sec.) @ Room Temperature
 - LED Indicator Colour: Amber
 - Tested in accordance to SAE J1455 For Dust, Radiated Emissions Section 4, 13.3.4.1 & Conducted Emissions Section 4, 13.3.4.4
 - Tested in accordance to SAE J2159 For Vibration, Corrosion, Humidity, Thermal Cycle Tests, Vehicle Transient Voltage Tests
- Materials:**
- Housing Base & Cover: Nylon 66, 15% G.F., UL94HB
 LED Lens: Polycarbonate
 Encapsulant: 2-part Epoxy
 Printed Circuit Board: FR4
 Screws: 18-8 Stainless Steel (See drawing details for specifics)
 Push Button Cover: Rubber, Blue Transparent
 Gasket: Black Silicone (Not Shown)
 Protective Sleeve: PVC Blue
 Harness Grommet: Rubber 55 Durometer, Blue
 Harness Wire(s): See "Wire Designation Chart"



Wire Designation Chart

Wire Colour	Reference	Wire Gauge	Wire Type
Blue	Positive (B+)	10 Ga.	GPT
Blue/Black Stripe	To Load Br (lamps)	10 Ga.	GPT
White	Ground (-)	14 Ga.	GPT
Orange	Trigger Switch (Optional)	18 Ga.	GPT

TECHNICAL INFORMATION: GROTE ELECTRONICS HEREBY WARRANTS THE COMPETENT REPUTATION OF GROTE INDUSTRIES INC. AND ITS BRAND IN CONNECTION WITH THE INFORMATION ONLY. IT MAY NOT BE REPRODUCED OR USED IN ANY WAY WITHOUT EXPRESS WRITTEN LICENSE FROM GROTE INDUSTRIES INC.

Grote ELECTRONICS
 WATERLOO, ONTARIO, CANADA

DRAWN: C.Chen	DATE: 19/09/2011	SCALE: 1:2
CHK'D: D.Brazeau	APP'D: A.David	SHEET 1 of 1
SPEC: DENOTES GROTE ELECTRONICS CENTRAL CHARACTERISTICS		
DIMENSIONS ARE IN INCHES UNLESS SHOWN OTHERWISE		
DIMENSIONS UNLESS SPECIFIED OTHERWISE		
TWO PLACES ± 0.05 ANGLES ± 0.1		
SIZE DWG. NO. REV.		
Dome Lamp Switch Module with Accelerometer 1 01-4444-02803 C		

- Notes:**
- Recommended load: 80% of maximum, 15 Amps total (12 Amps).
 - Unit contains an internal 1.5 Amp replaceable Fuse.
 - Do not operate the module with the cover unfastened from the housing.
 - Unit is factory pre-set for 40 minutes on-time & can be manually shut off or automatically when the vehicle experiences fore/aft acceleration.
 - All connections to the unit must be made with good quality connectors that are solidly formed & crimped.
 - When the unit is used in conjunction with dome lamps the dome lamp circuit requires a minimum of 10.0V & a maximum of 14.0V for the dome lamps to operate properly.
 - All dimensions are for reference only unless specified otherwise.
 - The module is to be mounted vertically as shown in "View A-A".
 - A harness "drip loop" is to be created by the installer in order to avoid an accumulation of liquid around the harness grommet.
 - A recommended drip loop radius is: 1.75 inches, see "View A-A" for details.
 - Orange wire can be used for an optional remote trigger switch.

- Packaging Info:**
- The Country of origin must appear on the outside of the carton. Bulk packed product to be labelled
 44440-3
 Made in Canada
 UPC# 089373-15179-3
 - Individual Pack Product (01-4444-02) are to be placed in an Individual Carton labelled
 Grote
 1 EA
 44440
 Made in Canada
 UPC# 089373-15228-8
 - Master Pack (01-4444-02) are 6 per Carton and labelled
 Grote
 6 EA
 44440
 Made in Canada

Part No. & Packaging Info	Part No.	Individual	Bulk
01-4444-02	Individual		
01-4444-03	Bulk		

Grote Accelerometer Dome Switch (Grote Model # 4444)

Operating Instructions:

Turn On:

Press and release the pushbutton. The LED indicator will turn on to indicate the relay is active. This automatically begins the Delay Time duration.

Turn Off:

- The relay and LED indicator will both turn off when the Delay Time expires.
- The relay and LED indicator will both turn off when the switch senses significant acceleration. The LED indicator will then flash 10 times at a high rate to signify acceleration has shut down the relay.
- To manually turn off the relay, press and release the pushbutton. The LED indicator will also turn off to indicate the relay is off.

Program Mode: (The relay must be turned off before entering program mode.)

- 1) Press and hold the pushbutton for 10 seconds until the LED indicator turns off, then release the pushbutton.
- 2) Press and release the pushbutton the number of times required to set the 'MODE'; to achieve the desired Delay Time. (Refer to chart below)

MODE Delay Time (Minutes)

1	20
2	40 (default value)
3	60
4	90

- 3) Wait 5 seconds to allow the timer to exit programming mode. When the timer has successfully been programmed, it will flash the LED indicator a number of times to indicate the new MODE setting.

Note - if the 5 seconds had expired before entering a new MODE setting, the timer will respond by simply flashing the current MODE. This feature can be used to verify the current setting.

External Pushbutton (Optional):

The orange wire in the harness is for an optional on/off switch. This switch is sold separately and switches to ground.

Form #56-8001-D2 Rev. B

44440

Note: Printed Copy is UNCONTROLLED

REV	DESCRIPTION	ENG	REV/ED
A	Issued	APP'D	NO
RET		DATE	
B	NOTES REVISED: Accelerometer switch was back override switch.	DL	542356
			12/12/2011
			542364
			12/15/11

TECHNICAL INFORMATION DISCLOSED HEREIN IS THE CONFIDENTIAL PROPERTY OF GROTE INDUSTRIES, INC. AND IS ISSUED IN CONFIDENCE FOR ENGINEERING INFORMATION ONLY. IT MAY NOT BE REPRODUCED OR USED IN ANY WAY WITHOUT EXPRESS WRITTEN LICENSE FROM GROTE INDUSTRIES, INC.	
GROTE DENOTES GROTE CONTROL CHARACTERISTIC	THIRD ANGLE PROJECTION
DR. BY: R. TURLEY	SCALE: NONE UNITS: IN
DATE: 12/12/2011	DO NOT SCALE DRAWING
MATERIAL NO.	CHECKED BY:
MAT'L DESCRIPTION Black printing on 8 1/2" X 11" white paper	
TITLE Accelerometer Dome switch instruction sheet	
GROTE INDUSTRIES, LLC. MADISON, INDIANA U.S.A.	
SITE PARTING NO. 56-8001-D2	REV. SHEET # B OF 1
SYSTEM/REV. MS WORD	3D DATA: NO