

Grote Brake Override Switch (Grote Model # 4436)

Operating Instructions:

Turn On:

Press and release the pushbutton. The LED indicator will turn on to indicate the relay is active. This automatically begins the Delay Time duration.

Turn Off:

- The relay and LED indicator will both turn off when the Delay Time expires.
- The relay and LED indicator will both turn off when the brake input is active for a minimum of 1 second. The LED indicator will then flash 10 times at a high rate to signify that the brakes have shutdown the relay. (A 4-way flasher will not affect the automatic shutdown because it cycles with a period of less than 1 second).
- To manually turn off the relay, press and release the pushbutton. The LED indicator will also turn off to indicate the relay is off.

Program Mode: (The relay must be turned off before entering program mode.)

- 1) Press and hold the pushbutton for 10 seconds until the LED indicator turns off, then release the pushbutton.
- 2) Press and release the pushbutton the number of times required to set the 'MODE'; to achieve the desired Delay Time. (Refer to chart below)

MODE Delay Time (Minutes)

1	20
2	40 (default value)
3	60
4	90

- 3) Wait 5 seconds to allow the timer to exit programming mode. When the timer has successfully been programmed, it will flash the LED indicator a number of times to indicate the new MODE setting.

Note - if the 5 seconds had expired before entering a new MODE setting, the timer will respond by simply flashing the current MODE. This feature can be used to verify the current setting.

Note - if the LED indicator flashes at a high rate, the relay will not turn on because the brake input is active.

Form #56-8001-C1 Rev. A

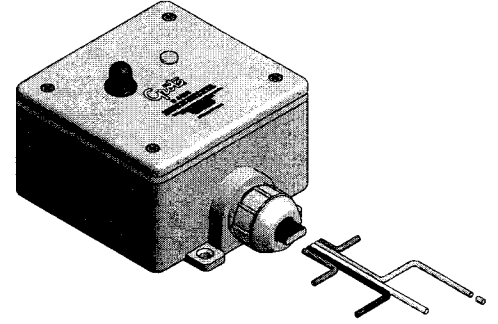
NOTE: Printed copy is UNCONTROLLED!

REV	DESCRIPTION	ENG	DATE
A	Issued	466185	02/07/2007
CO			02/07/2007

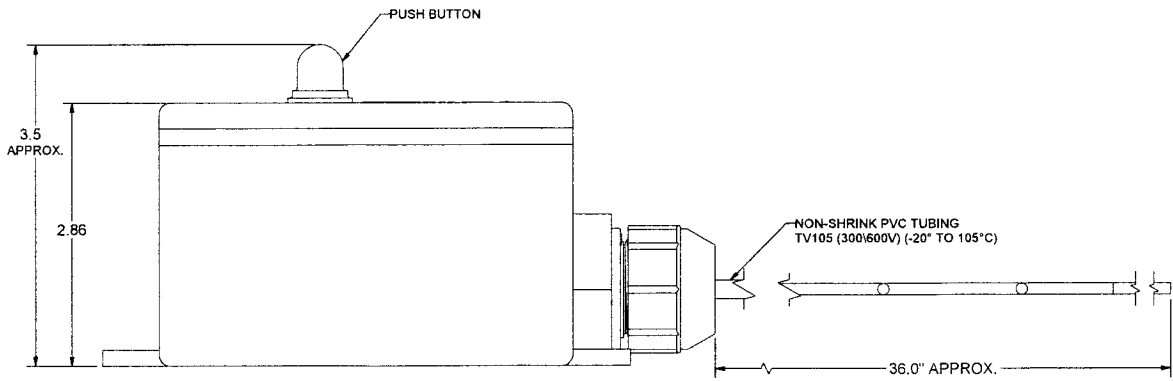
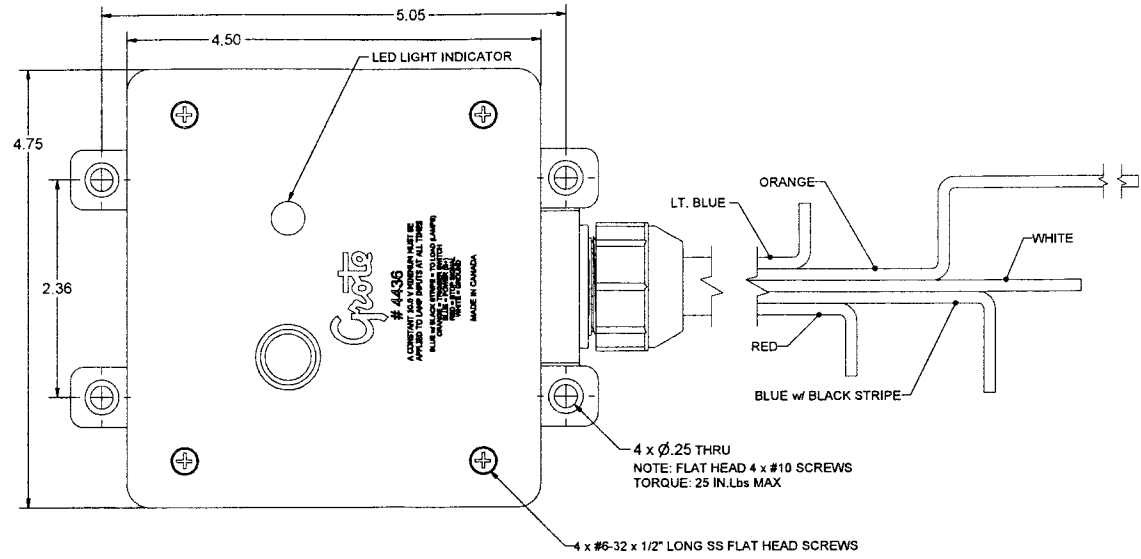
TITLE Brake override switch instruction sheet	PART DESCRIPTION Black printing on 8 1/2" x 11" white paper	DATE: 02/07/2007 CHECKED BY:	OR BY: COT/Neal SCALE: NONE UNITS: IN DO NOT SCALE DRAWING	MATERIAL CHARACTERISTIC GFCI 90° ANGLE TUBED ANGLE PRODUCTION	TECHNICAL INFORMATION DISCLOSED HEREIN IS THE CONFIDENTIAL PROPERTY OF GROTE INDUSTRIES, INC. AND IS ISSUED IN CONFIDENCE FOR ENGINEERING INFORMATION ONLY. IT MAY NOT BE REPRODUCED OR USED IN ANY WAY WITHOUT EXPRESS WRITTEN LICENSE FROM GROTE INDUSTRIES, INC.
--	--	---------------------------------	--	---	---

SYSTEM NO. MS. NO. 56-8001-C1	PART NO. 56-8001-C1	REV. A SMT. B 1 of 1	Grote GROTE INDUSTRIES, LLC. MADISON, INDIANA U.S.A.
----------------------------------	------------------------	----------------------------	--

REVISION HISTORY			
REV	DESCRIPTION	DATE	ECO NO.
A	(0) ISSUED	12 OCT 06	461 405
B	(1) CHGD WIRE COLOURS (2) CHGD CLICHE (3) REVISED NOTES AND PACKAGING	07 NOV 06	462 758
C	(1) CHGD PLACEMENT OF THE LED LIGHT & THE SWITCH FROM VERTICAL TO HORIZONTAL	14 FEB 07	465 393
D	(1) CHGD MODULE TEMP RANGE FROM -40° TO +85° TO -40° TO +50°	02 MAR 07	467 583



Note: Printed Copy is Uncontrolled



WIRE INFO:
 BLUE w/ BLACK STRIPES: POWER OUT (10 Ga.)
 WHITE: GROUND (-) (18 Ga.)
 RED: STOP SIGNAL (18 Ga.)
 ORANGE: TRIGGER SWITCH (18 Ga.)
 BLUE: POWER IN (10 Ga.)

SPECIFICATIONS:
 1. RATED VOLTAGE: 12.8 V
 2. TIMER: 40 MIN. ± 10%
 3. OPERATING VOLTAGE RANGE: 9.0 V to 16.0 V
 4. MODULE OPERATING TEMPERATURE RANGE: -40°C to +50°C
 5. MAXIMUM SWITCHING CURRENT: 15 Amps
 6. ACCURACY: INCREMENTS OF +0.007Hz (7/1000 sec.) @ ROOM TEMPERATURE
 7. LED INDICATOR COLOUR: AMBER
 8. TESTED IN ACCORDANCE TO SAE J575
 9. ELECTRONIC SWITCH IS PROTECTED AGAINST TRANSIENTS, LOAD DUMP, REVERSE POLARITY AND EMC IN ACCORDANCE TO THE REQUIREMENTS OF SAE J1455

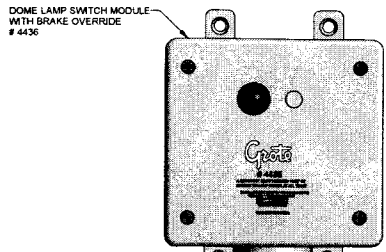
NOTES:
 1. RECOMMENDED LOAD: 80% OF MAXIMUM 15 Amps TOTAL
 2. UNIT CONTAINS AN INTERNAL REPLACEABLE 280-ISO AUTOMOTIVE WEATHER-PACK RELAY (1 FORM C PIN-OUT CONFIGURATION) N.O. (NORMALLY OPEN)
 3. UNIT CONTAINS AN INTERNAL 15 Amp REPLACEABLE FUSE.
 4. DO NOT EXPOSE THE INTERIOR OF THE UNIT TO EXTERIOR ENVIRONMENTAL CONDITIONS.
 5. FACTORY PRE-SET FOR 40 MINUTES ON-TIME, AND CAN BE MANUALLY SHUT OFF OR DE-ACTIVATED WITH THE MOMENTARY GROUND SENSE OR WITH THE VEHICLE BRAKE ACTIVATION
 6. ALL CONNECTIONS TO UNIT MUST BE MADE WITH GOOD QUALITY CONNECTORS THAT ARE SOLIDLY FORMED AND CRIMPED.
 7. WHEN UNIT IS USED IN CONJUNCTION WITH DOME LAMPS, THE DOME LAMP CIRCUIT REQUIRES A MINIMUM OF 10.0V AND MAXIMUM OF 14.0V TO OPERATE THE DOME LAMPS PROPERLY.
 8. ALL DIMENSIONS ARE FOR REFERENCE ONLY.

PACKAGING INFO:
 1. COUNTRY OF ORIGIN MUST APPEAR ON THE OUTSIDE OF THE CARTON
 BULK PACKED PRODUCT TO BE LABELLED
 GROTE
 12 Ea.
 44360-3

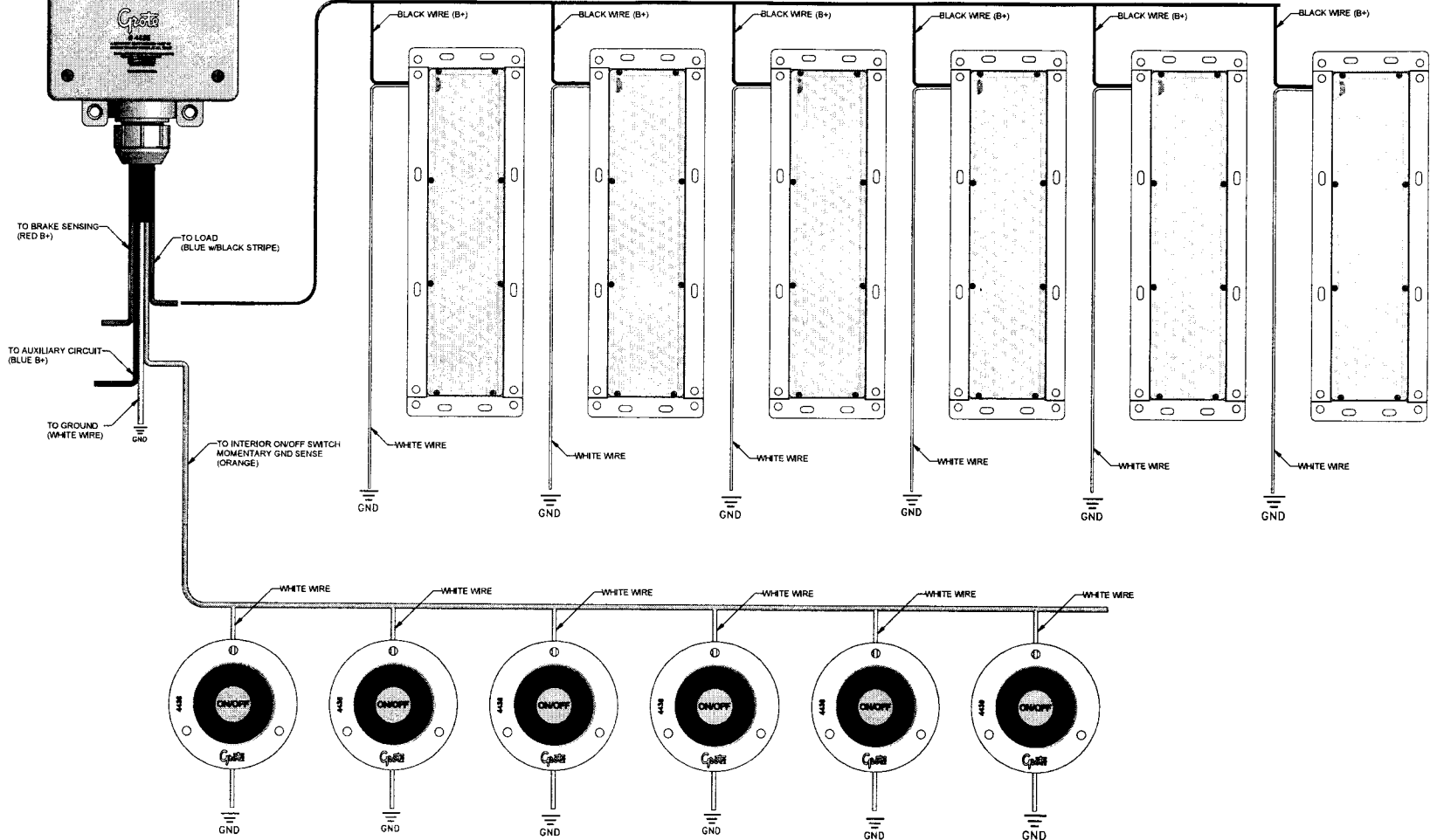
Grote ELECTRONICS
 WATERLOO, ONTARIO, CANADA

DRAWN: V. SANDHU	DATE: 15/09/2006	SCALE: 1 : 1
CHKD: A.DAVID	APPD: J.TAVERNESE	SHEET 1 of 1
GROTE DENOTES GROTE ELECTRONICS CRITICAL CHARACTERISTICS DIMENSIONS ARE IN INCHES UNLESS SHOWN OTHERWISE TOLERANCE ONE PLACE ± 0.1 THREE PLACES ± 0.005 TWO PLACES ± 0.05 ANGLES ± 1°		
DOME LAMP SWITCH MODULE WITH BRAKE OVERRIDE		SIZE C DWG. NO. 01-4436-03 REV. D

REVISION HISTORY				
REV	DESCRIPTION	DATE	ECCO NO.	REQ/CHG'D
A	(0) ISSUED	27 FEB 06	xxx xxx	L.T.V.S
B	(1) UPDATED	15 MAR 07	468 244	L.T.V.S
C	(1) ADDED THE 4438 GROUND SENSING SWITCH THE SCHEMATIC	03 AUG 07	474 231	L.T.V.S



TYPICAL LOADS
GROTE: 6161 SERIES & 6188 SERIES



NOTES

1. IT IS RECOMMENDED TO CONNECT GROUND CIRCUIT TO A RETURN GROUND SYSTEM.
2. IT IS HIGHLY RECOMMENDED THAT HEAT SHRINK BE USED TO PROTECT THE CONNECTIONS AGAINST MOISTURE AND/OR FOREIGN CONTAMINANTS.
3. MOUNT MODULE VERTICALLY WITH WIRE HARNESS IN DOWNWARD POSITION.
4. DO NOT EXPOSE THE INTERIOR OF THE MODULE TO EXTERIOR ENVIRONMENTAL CONDITIONS.
5. GROTE RECOMMENDS THAT A MAXIMUM OF SIX (6) 6161 OR TEN (10) 6188 SERIES LED LAMPS BE USED TO OPTIMIZE THE CAPABILITY AND PERFORMANCE OF BOTH THE MODULE AND DOME LAMP CIRCUIT.

Note: Printed Copy is Uncontrolled

TECHNICAL INFORMATION DISCLOSED HEREIN IS THE CONFIDENTIAL PROPERTY OF GROTE INDUSTRIES INC. AND IS ISSUED IN CONFIDENCE FOR ENGINEERING INFORMATION ONLY. IT MAY NOT BE REPRODUCED OR USED IN ANY WAY WITHOUT EXPRESS WRITTEN LICENSE FROM GROTE INDUSTRIES INC.



DRAWN: V.SANDHU	DATE: 15/03/2007	SCALE: NTS
CHK'D: L.TAVERNESE	APP'D: J.TAVERNESE	SHEET 1 of 1
<small>THIRD ANGLE PROJECTION</small> 		
<small>THIRD ANGLE PROJECTION</small> 		
<small>THIRD ANGLE PROJECTION</small> 		
<small>THIRD ANGLE PROJECTION</small> 		
SIZE	DWG. NO.	REV.
C	02-150014	C

4408 MODULE WIRING DRAWING


[Contact us](#) | [Site map](#)

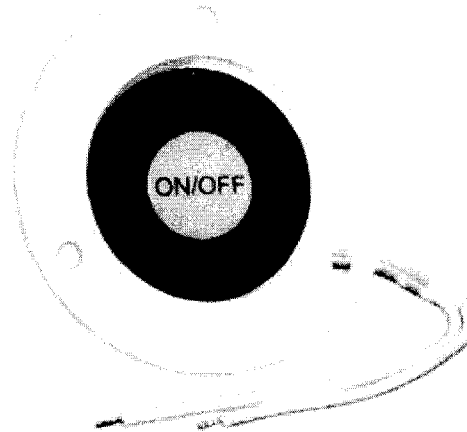
[PRODUCT CATALOG](#) [TECHNICAL INFO](#) [ABOUT US](#) [WHAT'S NEW](#) [WHERE TO BUY](#) [FLEETS](#) [MA](#)

PRODUCT CATEGORIES

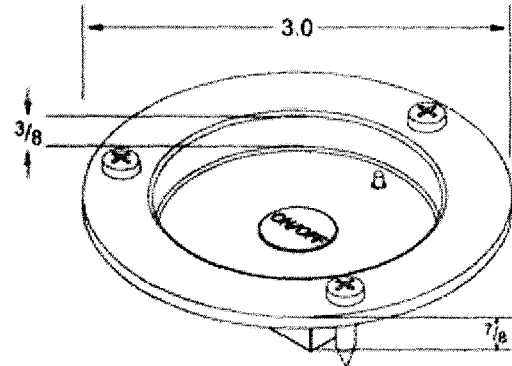
[New products](#)
[PerLux products](#)
[UltraBlueSeal products](#)
[Merchandising](#)
[Grote gear](#)
[Product search help](#)
[Part numbering guide](#)
[Image download tips](#)
[Competitive interchanges](#)

[Catalog search page](#) > [Interior Lighting](#) > [product sheet](#)

Recessed Momentary Ground Switch



[Enlarge image](#)



[Enlarge image](#)

PRODUCT NUMBER
44380 - Switch, NEW

FEATURES & BENEFITS

- Simple switch to reset the timer function of standard "outside the trailer" switches
- Recessed into the trailer wall to eliminate knock-offs and bumps
- Easy to integrate into the current system

[▲ back to top](#)

Copyright 2005 Grote Industries • All Rights Reserved [Terms of use](#) [Contact us](#) [Employment Opportunities](#)