

# MicroNova® Surface Mount Bracket

Product Information Sheet

PIGTAILS, GROMMETS AND BRACKETS

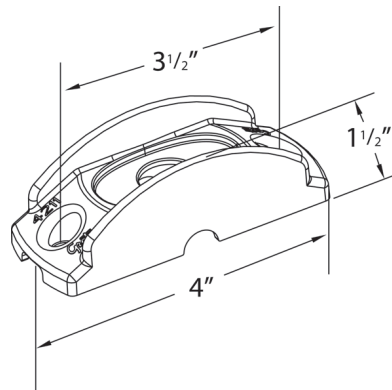


## PRODUCT SPECIFICATIONS

### MATERIAL:

Black Polycarbonate

Finish: Gray/Black



Protect MicroNova® lamps with this easy-retrofit bracket.

- Protects MicroNova® clearance/marker and MicroNova® Dot lamps from damage.
- 3" mounting hole separation provides easy retrofit.

Other Part Number	Description
42110	Surface-Mount Bracket (Gray)
42112	Surface-Mount Bracket (Black)
42120	Corner Radius surface mounting bracket
42110-3 (bulk)	Surface-Mount Bracket (Gray pack)

2600 Lanier Drive, Madison, Indiana U.S.A. 47250-0550

U.S. 800.628.0809 Canada 800.268.5612

Europe +49 9962/20008-0 Mexico 011 (52) 81-8262-4400

GLB2014-43

[grote.com](http://grote.com)

**Grote**

The first name in vehicle  
safety systems®