

Grote-Select™ 4" LED Stop/Tail/Turn Lamp

Data Sheet

STOP/TAIL/TURN LIGHTING



PRODUCT SPECIFICATIONS

MATERIAL: POLYCARBONATE/ACRYLIC
FMVSS: S/T/T - I, P2, S, T - AUXILIARY - P2

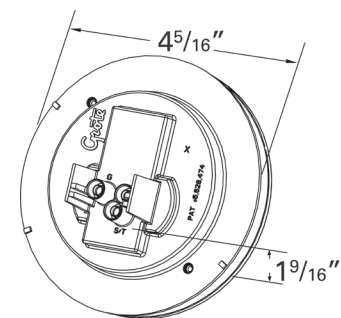
FINISH: RED/YELLOW

VOLTAGE AMP:

12 VOLT: 12V/.24A (I,S) / .03A (T)

MULTI-VOLT: 9V/.92A - 32V/.478A (I,S)

9V/.089A - 32V/.103A (T)



New optic design provides cost effective solution with popular aftermarket termination style.

- Efficient component design and a sealed circuit board leads to maintenance free operation
- Faster light-on response time provides increased stopping alert distance versus incandescent lamps
- Less current draw than standard incandescent lamps which leaves more voltage available to other vehicle systems
- Fits all Grote 4" bracket, grommet, and flange mounting options
- Resembles incandescent light to alleviate theft concerns
- Uses existing pigtailed wiring for cost effective retrofit
- Hermetic lens to housing seal prevents moisture intrusion
- Multi-volt version available for 9 – 32V power systems

PART NUMBER	TERMINATION	LIGHT SOURCE/COLOR	OPERATING VOLTAGE
54342	FEMALE PIN	LED/RED	12V
54343	FEMALE PIN	LED/YELLOW	12V
54282	FEMALE PIN	LED/RED	9V-32V

2600 Lanier Drive, Madison, Indiana U.S.A. 47250-0550

U.S. 800.628.0809 Canada 800.268.5612

Europe +49 9962/20008-0 Mexico 011 (52) 81-8262-4400

GLB2016-57

grote.com