

Trilliant Cube 2.0 2800 Lumen LED Work Lamp

Data Sheet

FORWARD LIGHTING



With stronger output and warmer color, Grote's newest bi-voltage Cube lamps set the new standard for LED work lamps.

- Can use with either 12 or 24 volt.
- "Warmer" color temperature than existing Cube lamps. Advanced circuit design and thermal management ensures consistent light output for the life of the lamp.
- Quality electronic components and advanced Grote circuit design provides electronically quiet operation, consistent light output, and protection from voltage spikes and electromagnetic interference.
- Premium LEDs produce white light that reduces eye fatigue and operator stress.
- Rugged design withstands heavy vibration, corrosion, moisture, and dust.
- Sophisticated reflector optics put more light on the task.
- Multiple connector options, DT-2 Pin and Amp SuperSeal, increase operational flexibility.

PRODUCT SPECIFICATIONS

MATERIALS

Weight (incl. Mounting Hardware): 1.61lb (0,73kg)
 Connector Type: Deutsch, AMP or AMP Superseal
 Ambient Operating Temperature (without thermal pullback): -40°F to 185°F (-40°C to 85°C)
 Ambient Storage Temperature: -40°F to 185°F (-40°C to 85°C)
 Housing Material: Die Cast Aluminum, Black Powder Coating Finish
 Lens Material: UV resistant, Hard Coated Polycarbonate
 Heat Management: Aluminum Fins
 Mounting Options: Bracket with M10 bolt

ELECTRICAL CHARACTERISTICS

Input Voltage: 10V-16V; 22V-32V
 Power Draw: 40.5W
 Current: 3 Amps @ 13.5V; 1.5 Amps @ 27V
 Electrical Protection: Reverse polarity protection

OPTICS

Light Output (Lumen): Raw: 3300lm; Instant-On: 3030lm; Effective: 2800lm
 Lamp Efficacy: 70 (Lumens per Watt)
 Optical Package: Flood (Far Pattern); Wide Flood (Near Pattern)
 Correlated Color Temperature (CCT): 6030 (Kelvin)
 Color Rendering Index (CRI) 68
 Effective Range (5 Lux on ground): close range 46ft (14m); long range 92ft (28m)
 Effective Spread (5 Lux on ground): close range 53ft (16m); long range 33ft (10m)

RATINGS AND COMPLIANCES:

Impact: ISO 60068-2-6:1996, EN 60068-2-64:1995, ISO 60068-2-29:1993, ISO 60068-2-27:2009, EN 60068-2-32:1993
 Thermal Stress: EN 60068-2-2:2007, IEC 60068-2-14:2009
 Ingress Protection: IP69K (ISO 20653), FMVSS108 14.5.2, FMVSS108 14.5.3, ISO 20653-IP6, EN 60068-2-30:2005
 Corrosion: FMVSS108 S14.5.4
 Storage Temperature Test: ISO16750-4:2003
 Light Performance: IESNA LM-79
 EMC Certification, UN Directive: 72/245/EEC, CE, CISPR 25 Class 5

PN	PATTERN	TERMINATION	VOLTAGE	AMP DRAW	EFFECTIVE LUMEN
63L31	FLOOD	AMP C	12/24	3A AT 13.5V / 1.5A AT 27V	2800
63L41	WIDE FLOOD	AMP C	12/24	3A AT 13.5V / 1.5A AT 27V	2800
63L51	FLOOD	DT	12/24	3A AT 13.5V / 1.5A AT 27V	2800
63L61	WIDE FLOOD	DT	12/24	3A AT 13.5V / 1.5A AT 27V	2800
63L71	FLOOD	AMP SS	12/24	3A AT 13.5V / 1.5A AT 27V	2800
63L81	WIDE FLOOD	AMP SS	12/24	3A AT 13.5V / 1.5A AT 27V	2800

2600 Lanier Drive, Madison, Indiana U.S.A. 47250-0550

U.S. 800.628.0809 Canada 800.268.5612

Europe +49 9962/20008-0 Mexico 011 (52) 81-8262-4400

grote.com

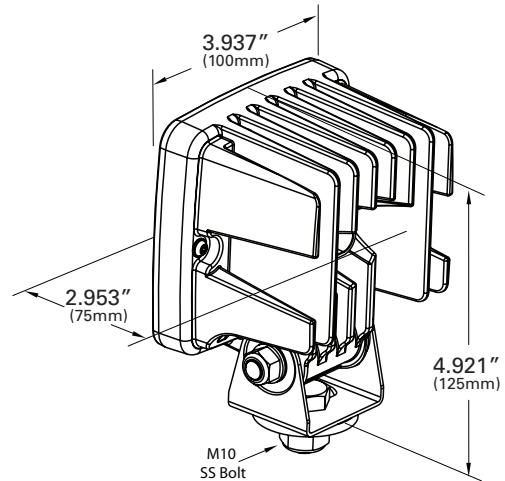
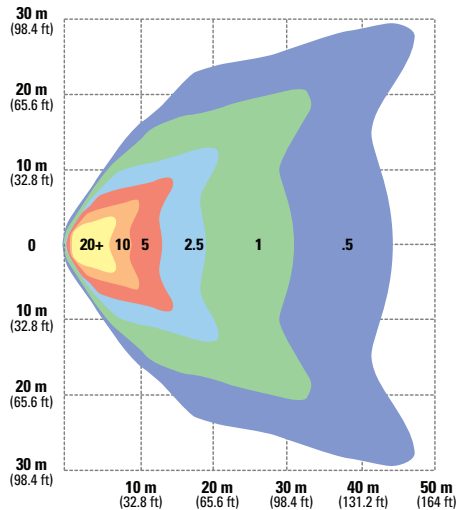


Trilliant Cube 2.0 2800 Lumen LED Work Lamp

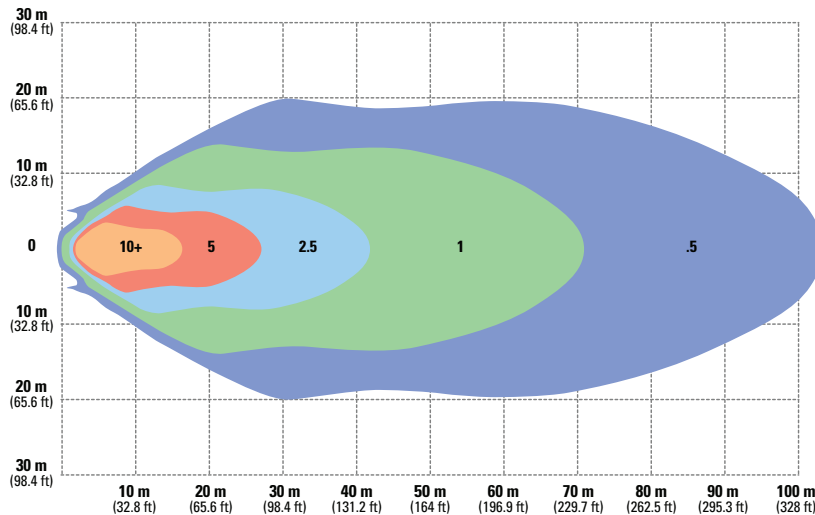
Data Sheet

FORWARD LIGHTING

Trilliant CUBE Wide Flood - IsoLux



Trilliant CUBE Flood - IsoLux



2600 Lanier Drive, Madison, Indiana U.S.A. 47250-0550
U.S. 800.628.0809 Canada 800.268.5612
Europe +49 9962/20008-0 Mexico 011 (52) 81-8262-4400

grote.com

