

Pigtails, Brackets and Grommets

Spirales de Raccord, Bague de Montage et Supports Conectores / Soportes rígidos y flexibles



66930



66931



67001



66850



66851



66801



67050



66980



66981



66982



67120

THIN-LINE LED PIGTAILS

Factory-molded plugs for use with ULTRA-BLUE-SEAL® trailer wiring system

- UBS sealing ring
- Uses patented double-seal protection
- Grease grooves for additional sealing protection
- Slim-Line .180 male

66930 5" Long, Chassis Ground System

66931 6" Long, Ground Return

SEALED MARKER LAMP PIGTAILS

Factory-molded plugs for use with ULTRA-BLUE-SEAL® trailer wiring system

- Double seal resists corrosion
- Fits 2", and 2 1/2" round and beehive-style LED and incandescent lamps
- Slim-Line .180 male

DOUBLE SEAL:

67001 6" Long, Ring Terminal Ground, Blunt Cut Wire

67001-5 6" Long, Ring Terminal Ground, Blunt Cut Wire

RETAIL

66850 6" Long, Chassis Ground

66851 6" Long, Ground Return

SINGLE SEAL:

66801 6" Long, Ground Return

67050 6" Long, Ring Terminal Ground, Blunt Cut Wire

67050-5 6" Long, Ring Terminal Ground, Blunt Cut Wire

RETAIL

66840 6" Long, Chassis Ground, Standard .180 Male

66800 6" Long, Chassis Ground, Slim-Line .180 Male



66800



66840

CLEARANCE / MARKER PIGTAILS

Factory-molded plugs for use with ULTRA-BLUE-SEAL® trailer wiring system

- Fits 4674 series clearance / marker lamps, and 4709 and 6029 / 6030 license and utility lamps
- Pigtail designed to be integral part of mounting bracket (43780)

66980 6" Long, Chassis Ground, Slim-Line .180 Male

66981 6" Long, Universal Replacement, Blunt Cut, Ring Terminal Grommet

66982 8" Long, Ground Return

MARKER LAMP PIGTAIL

Fits all Grote 2-bulb marker lamps with flag terminals, including 4526-, 4546-, 4593-, 4630-, 4678- and 4679- series lamps

67120 7 3/4" Long, .180 Slim-Line Male

SEALED, ECONOMY CLEARANCE/ MARKER LAMP PIGTAIL

Fits 4607 series lamps

66360 6 3/4" Long w/ 3/8" Wire Strip



TURTLEBACK® II DOUBLE-SEAL LAMP PIGTAILS

Factory-molded plugs for use with ULTRA-BLUE-SEAL® trailer wiring system
 • Pigtail for 4680-, 4684-, 4686- and 4687- series lamps • All connections fit under lamps

- 66910** 6" Long, Chassis Ground, Slim-Line .180 Male
- 66911** 6" Long, Ground Return, Standard .180 Male
- 67070** 2 1/2" Long, Ground Wire, Standard .180 Male
- 67071** Two-Wire, Standard .180 Male



66910



66911



67070



67071

SENTRY LAMP PIGTAILS

Factory-molded plugs for use with ULTRA-BLUE-SEAL® trailer wiring system
 • Sealed plug-in pigtail for 5206-, 5202-, and 5306- lamps • O-ring helps prevent moisture and corrosion

- 66900** 6" Long, Chassis Ground, Slim-Line .180 Male, 3 1/2" Ground, Star Ring Terminal
- 66903** Three-Wire, Standard .180 Male (5306 Lamps Only)
- 66904** 6" Long, Ground Return, Slim-Line .180 Male
- 66905** 6" Long, Chassis Ground, Slim-Line .180 Male



66900



66903



66905



66904

SENTRY LAMP SINGLE FUNCTION 90° PIGTAIL

90° molded plug at lamp • Packard connector at power end (15300027)
 • O-ring resists moisture and corrosion

66920 30" Long, 90° Plug



Pigtails, Brackets and Grommets

Spirales de Raccord, Bague de Montage et Supports Conectores / Soportes rígidos y flexibles



SENTRY HIGH-MOUNT STOP PIGTAIL

Fits 54012 lamp • Sealin -ring to lamp base • O-ring resists moisture and corrosion

66902 6" Long, Slim-Line .180 Male, 3" Ground, Star Ring Terminal



HIGH-MOUNT STOP LAMP PIGTAIL

Factory-molded plugs for use with the ULTRA-BLUE-SEAL® trailer wiring system • Fits 4925 series lamps for use in HMSL applications

66870 12 1/2" Long, Slim-Line .180 Male



66815

STOP /TAIL /TURN THREE-WIRE PLUG-IN PIGTAILS FOR MALE PIN LAMPS

Dual function for S/T/T lamps • O-ring seal resists moisture and corrosion • Quality ULTRA-BLUE-SEAL® construction • Grease grooves for additional sealing protection

66815 6" Long, Ground Return, Slim-Line .180 Male

66841 8" Long, Chassis Ground, Slim-Line .180 Male

67002 11" Long, Chassis Ground, Blunt Cut Wire



66841



67002



66816

STOP /TAIL /TURN THREE-WIRE 90° PLUG-IN PIGTAILS FOR MALE PIN LAMPS

Dual function for S/T/T lamps • O-ring seal resists moisture and corrosion • 90° plug for reduced clearance applications • Quality ULTRA-BLUE-SEAL® construction • Grease grooves for additional sealing protection

66816 6" Long, Ground Return System, 90° Plug, Slim-Line .180 Male

66845 8" Long, Chassis Ground, 90° Plug, Slim-Line .180 Male

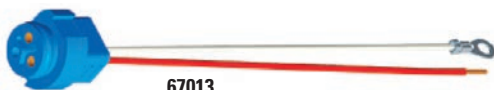
67005 11" Long, Chassis Ground, 90° Plug, Blunt Cut Wires



66845



67005



67013

STOP /TAIL /TURN TWO-WIRE PLUG-IN PIGTAILS FOR MALE PIN LAMPS

Straight-in pigtail • Single function • O-ring seal resists moisture and corrosion • Quality ULTRA-BLUE-SEAL® construction • Grease grooves for additional sealing protection

67013 11" Long, Chassis Ground, Blunt Clut Wire

66842 10" Long, Chassis Ground, Slim-Line .180 Male



66842

STOP /TAIL /TURN TWO-WIRE 90° PLUG-IN PIGTAILS FOR MALE PIN LAMPS

Factory-molded plugs for use with quality ULTRA-BLUE-SEAL® trailer wiring system • 90° plug for reduced clearance applications • Single function
 • O-ring seal resists moisture and corrosion • Grease grooves for additional sealing protection

- 66846** 10" Long, Chassis Ground, 90° Plug, Slim-Line .180 Male
- 67016** 11" Long, Chassis Ground, 90° Plug, Blunt Cut Wires



66846



67016

STOP /TAIL /TURN THREE-WIRE PLUG-IN PIGTAILS FOR FEMALE PIN LAMPS

Dual function for S/T/T lamps • Factory molded plugs for use with ULTRA-BLUE-SEAL® trailer wiring system

- 66812** 6" Long, Chassis Ground, Slim-Line .180 Male
- 66825** 8" Long, Ground Return, Slim-Line .180 Male
- 67000** 11 1/2" Long, Chassis Ground, Blunt Cut Wires



66812



66825



67000

STOP /TAIL /TURN THREE-WIRE 90° PLUG-IN PIGTAILS FOR FEMALE PIN LAMPS

Factory-molded plugs for use with ULTRA-BLUE-SEAL® trailer wiring system
 • Dual function for S/T/T lamps

- 66811** 18" Long, Chassis Ground, Slim-Line .180 Male, Star Ring Terminal
- 66843** 18" Long, Chassis Ground, Blunt Cut Wires, Star Ring Terminal
- 66843-5** 18" Long, Chassis Ground, Blunt Cut Wires, Star Ring Terminal **RETAIL**
- 66844** 18" Long, Ground Return, Slim-Line .180 Male



66811



66843



66844

UNIVERSAL 3-WIRE 90° PLUG-IN PIGTAIL FOR FEMALE-PIN LAMPS

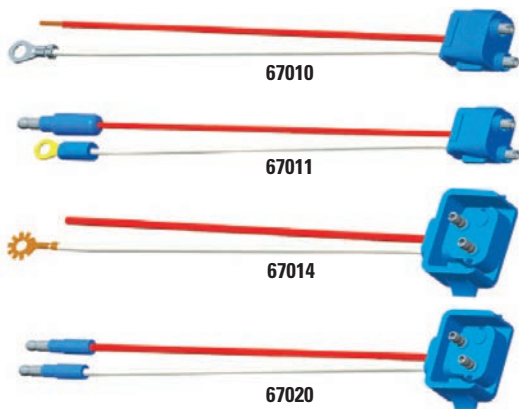
90° construction for reduced clearance applications • Dual function for S/T/T lamps • Mates to Grote® and competitive lamps with female termination

- 67090** 13" Long, Chassis Ground, 90° Plug, Blunt Cut Wires
- 67090-5** 13" Long, Chassis Ground, 90° Plug, Blunt Cut Wires **RETAIL**



Pigtails, Brackets and Grommets

Spirales de Raccord, Bague de Montage et Supports Conectores / Soportes rígidos y flexibles



TWO-WIRE PLUG-IN PIGTAILS FOR FEMALE-PIN LAMPS

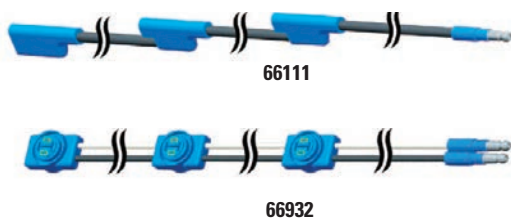
Factory-molded plugs for use with ULTRA-BLUE-SEAL® trailer wiring system • Single function • Includes dummy pin to help guide the pigtail into lamp

STRAIGHT:

- 67010** 11 1/2" Long, Chassis Ground, Blunt Cut
67011 10 1/4" Long, Chassis Ground, Standard .180 Male

90° PLUG:

- 67014** 10" Long, Chassis Ground, Blunt Cut
67020 10" Long, Ground Return, Slim-Line .180 Male



TRIPLE-LAMP ID HARNESSSES

Designed for use with ULTRA-BLUE-SEAL® wiring system • Factory-molded plugs resist moisture and corrosion • Slim-Line .180 male terminations at power end

- 66111** 54" Long, Universal Triple-ID Jumper (31"x12"x12")
66932 60" Long, LED Triple-ID Jumper (36"x12"x12")



AMP SUPERSEAL CONNECTOR

Mates with Trilliant® Work Lamps and competitive lamps using AMP superseal connectors

- 68580** 9" Long, Blunt Cut Wires



DEUSTCH CONNECTOR

Mates with Trilliant® Work Lamps and competitive lamps using Deustch connectors

- 68610** 12" Long, Blunt Cut Wires



HARD-SHELL CONNECTOR PIGTAILS

Mates with Grote and competitive lamps using AMP superseal 1.5 series connectors

DUAL FUNCTION:

- 66861** 11" Long, Chassis Ground, Blunt Cut Wires

SINGLE FUNCTION:

- 66862** 11" Long, Chassis Ground, Blunt Cut Wires



PACKARD® CONNECTOR PIGTAIL

Sealed plug-in style pigtail for Grote® Hybrid Midturn / Marker LED lamp

- 66826** 6" Long, Slim-Line .180 Males

METRI-PACK® PLUG-IN SEALED PIGTAIL

Fits either 4- or 5-wire applications • Fits 5370-, 5371-, 5372- and 5376- series lamps

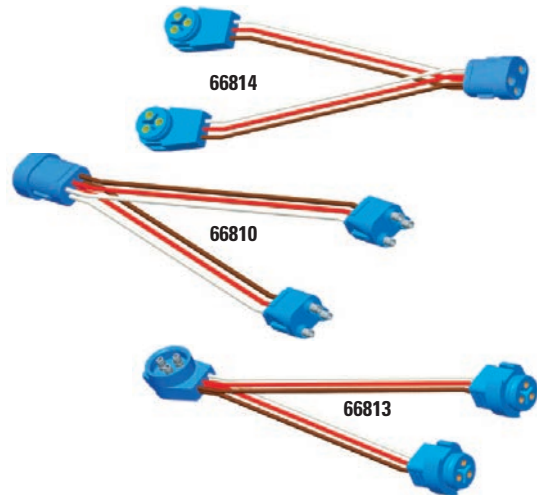
66880 20" Long, Sealed, Blunt Cut Wires



TWO LAMP 9" Y ADAPTER PIGTAILS

Accommodates 6-lamp systems • Molded termination avoids moisture and corrosion buildup • For use with 4" round and oval S / T / T lamps
 • Retrofits to superior Grote male pin LED lamps without the need for new wiring

90° PLUG:	
66814	9" Long, Adapter, Female-to-Male Pin
STRAIGHT:	
66810	9" Long, Adapter, Female-to-Female Pin
66813	9" Long, Adapter, Male-to-Male Pin



MIDTURN ADAPTER PIGTAILS

Factory-molded plugs for use with ULTRA-BLUE-SEAL® trailer wiring system
 • For use with 4" round and oval S/T/T lamps • 6" midturn adapter harness • Dummy plug in brown female .180 receptacle

66820	Adapter, Female-to-Female Pin, (2) Additional Standard .180 Receptacles
66823	Adapter, Male-to-Male Pin, (2) Additional Standard .180 Receptacles



ADAPTER PLUGS

Includes female-to-male pin lamp termination, and male-to-female pin lamp termination • For use with 4" round and oval, S/T/T lamps

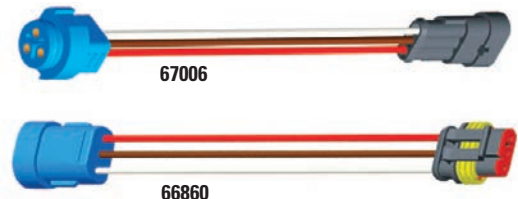
66830	6" Long, Female Pin to Male Pin Lamp Termination
66831	6" Long, Male Pin to Female Pin Lamp Termination
66831-5	6" Long, Female Pin to 90° Male Pin Lamp Termination
66836	6" Long, Female Pin to 90° Male Pin Lamp Termination



ADAPTER PLUGS FOR HARD SHELL CONNECTORS

For use with 4" round and oval S / T / T lamps

COMPETITIVE HARNESS TO MALE PIN:	
67006	6" Long, Hard Shell to Male Pin Connector
FEMALE PIN HARNESS TO AMP CONNECTOR:	
66860	6" Long, Female Pin to Hard Shell Connector



Pigtails, Brackets and Grommets

Spirales de Raccord, Bague de Montage et Supports Conectores / Soportes rígidos y flexibles



REPLACEMENT LAMP SOCKET PIGTAILS

Ensures positive bulb contact in all types of weather • Exceeds all existing automotive requirements • Heavy gauge thermoplastic wire with brass contacts, terminals and flags

DOUBLE CONTACT:

68110	9 1/2" Long
68130	7 1/2" Long
68150	6 1/2" Long

SINGLE CONTACT:

68080	9 1/2" Long
68170	9 1/2" Long

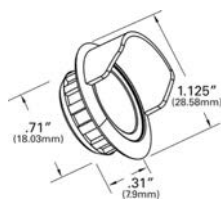


TWIST-IN SOCKET PIGTAIL

Includes 194 bulb • Fits 46002, 46003, 46913, 45662, 45563, 45712 and 45713 marker lamps

68380 9 1/2" Long, Socket, Blunt Cut Wires

Voltage / Amp: 12V / .27A

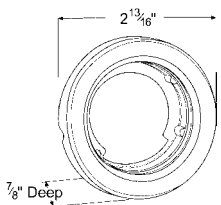


HOODED MICRONOVA® DOT GROMMET

Fits MicroNova® Dot lamps

94360 Black **NEW**

Material: PVC
Finish: Black



92120

2 5/16" HOLE GROMMET

Fits 2" round lamps • Fits panel thickness up to 1/4"

92120 Open Grommet
92150 Closed Back Grommet

KITS:

94100 Open Grommet (92120 + 67050)

Material: PVC
Finish: Black

SNAP-IN THEFT-RESISTANT MOUNTING FLANGE FOR 2" ROUND LAMPS

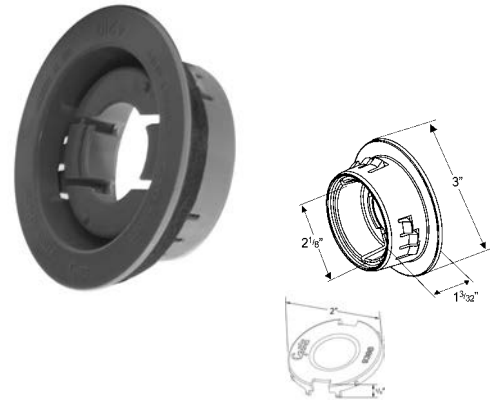
Snap-in flanges make installation more efficient in a variety of situations

- Lamp snaps into the flange and flange snaps into the trailer body, making it more difficult for a thief to remove the lamp
- Requires a 2 5/16" hole and panel thickness from 1/16" up to 1/4" thick

42190 Gray

CAP:
93860 Gray

Material: Polycarbonate
Finish: Gray



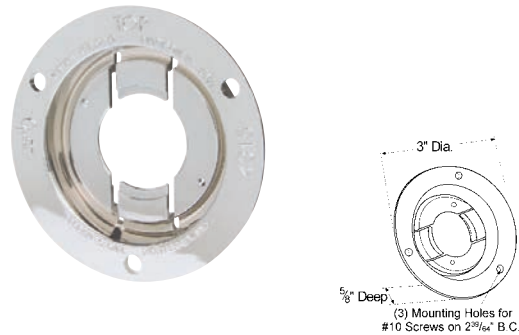
THEFT-RESISTANT MOUNTING FLANGE FOR 2" ROUND LAMPS

Patented twist-in locking system keeps lamp from backing out

- Ideal for LED lighting
- Fits 2" LED and incandescent lamps
- Requires 2 1/4" hole

43150 Gray, Polycarbonate
43152 Black, Polycarbonate
43153 Chrome-Plated, ABS

Material: Polycarbonate/ABS
Finish: Gray/Black/Chrome

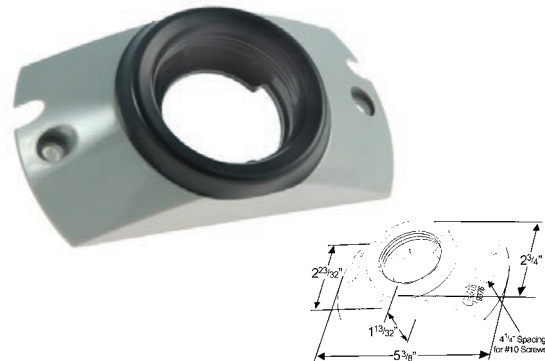


MOUNTING BRACKET WITH GROMMET FOR 2" ROUND LAMPS

4 1/4" mounting hole spacing

93760 Gray

Material: Polycarbonate
Finish: Gray
Grommet: 92120

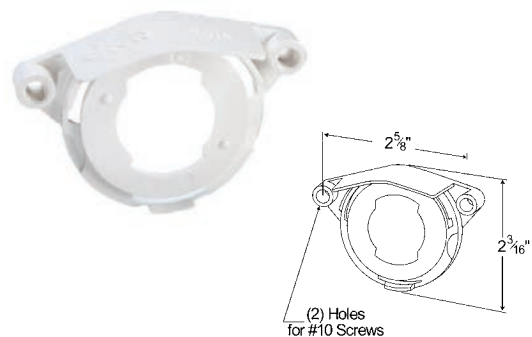


LICENSE LAMP MOUNTING BRACKET

Anti-glare shield eliminates stray light from distracting following motorists

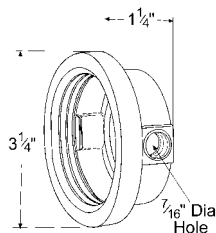
43040 White

Material: Polycarbonate
Finish: White



Pigtails, Brackets and Grommets

Spirales de Raccord, Bague de Montage et Supports Conectores / Soportes rígidos y flexibles



2 25/32" HOLE GROMMET

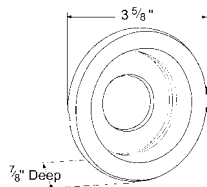
Fits 2 1/2" round lamps • Fits panel thickness up to 1/8"

91400 Open Grommet
92070 Closed Back Grommet

KITS:

94010 Open Grommet (91400 + 67050)

Material: PVC
Finish: Black



3" HOLE GROMMET

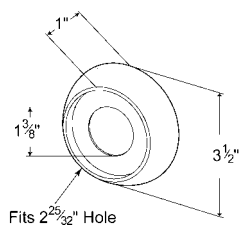
Fits 2 1/2" round lamps • Fits panel thickness up to 1/4"

91410 Open Grommet

KITS:

94000 Open Grommet (91410 + 67050)

Material: PVC
Finish: Black

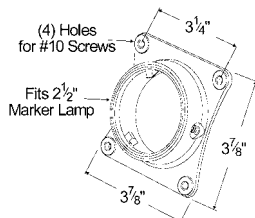


45° ANGLED BEVELED-EDGE MOUNTING GROMMET

Fits 2 3/4" hole • Open back fits panel thickness up to 3/16", closed back fits up to 3/8" • Fits all 2 1/2" round lamp

91880 Open Grommet
92920 Closed Back Grommet

Material: PVC
Finish: Black



GROMMET FOR SURFACE OR FLUSH MOUNT LAMPS

Fits 2 1/2" round lamps

91890 Open Grommet

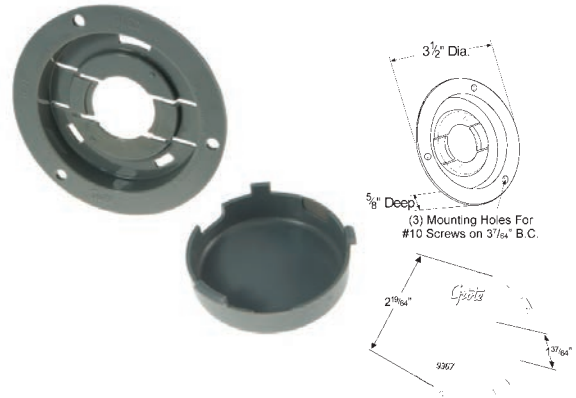
Material: PVC
Finish: Black

THEFT-RESISTANT MOUNTING FLANGE AND PIGTAIL RETENTION CAP FOR 2 1/2" ROUND LAMPS

Patented twist-in locking system keeps lamp from backing out • Ideal for LED lighting • Fits 2 1/2" LED and incandescent lamps • Pigtail retention cap keeps pigtail from backing away from lamp • Requires 2 5/8" hole

MOUNTING FLANGE:	
43160	Gray, Polycarbonate
43162	Black, Polycarbonate
43163	Chrome-Plated, ABS
CAP:	
93670	Gray

Material: Polycarbonate/ABS
Finish: Gray/Black/Chrome

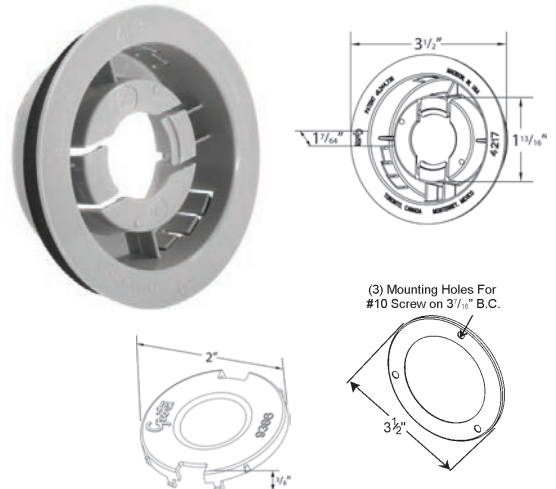


SNAP-IN MOUNTING FLANGE FOR 2 1/2" ROUND LAMPS

Flange is held into place by snap tabs rather than standard screw holes, for a quicker, easier installation • Snap tabs on the flange lock the flange into place, keeping it from backing out of the hole • Foam gasket allows for mounting in materials from 1/8" to 1/4" thick • No drilling necessary to install; can help reduce installation time by more than 60% • Requires 2 25/32" hole

MOUNTING FLANGE:	
42170	Gray
CAP:	
93860	Gray
SECURITY RING:	
43823	Stainless Steel

Material: Polycarbonate/Stainless Steel
Finish: Gray/Chrome

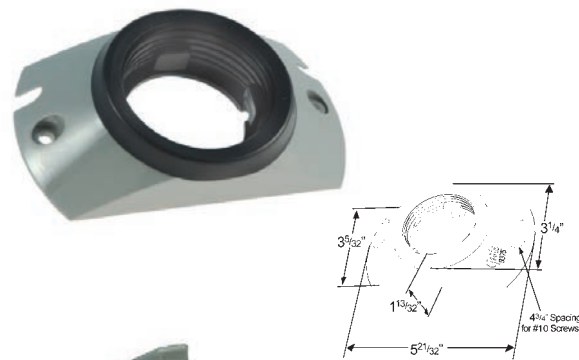


MOUNTING BRACKET WITH GROMMET FOR 2 1/2" ROUND LAMPS

Fits 2 1/2" round lamps • Includes grommet 91400 • 4 3/4" mounting hole spacing

93750 Gray

Material: Polycarbonate/PVC
Finish: Gray/Black



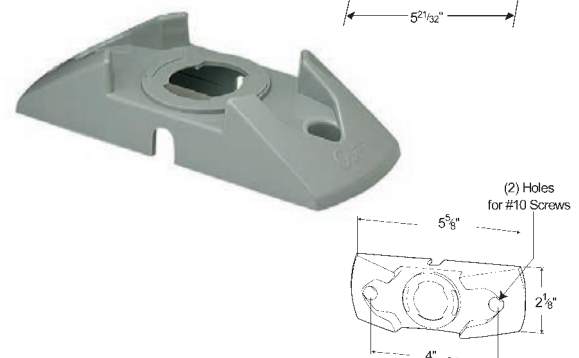
TWIST-IN SURFACE MOUNT BRACKET

Fits 2" and 2 1/2" lamps • 4" mounting hole spacing

43690 Gray

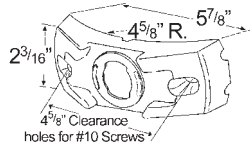
KITS:	
43430	Gray (43690 + 67050)

Material: Polycarbonate
Finish: Gray



Pigtails, Brackets and Grommets

Spirales de Raccord, Bague de Montage et Supports Conectores / Soportes rígidos y flexibles

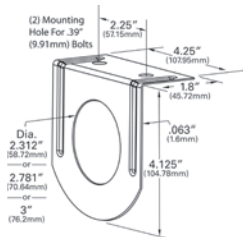


4 5/8" CORNER RADIUS BRACKET FOR 2" AND 2 1/2" ROUND LAMPS

Fits 4 5/8" corner radius • Use with PC-rated lights

43760 Gray

Material: Polycarbonate
Finish: Gray



MOUNTING BRACKET FOR 2" AND 2 1/2" ROUND LAMPS

Baked black enamel finish • Grommet required for mounting • 2 1/4" mounting hole spacing

FOR 2 1/2" LAMPS:

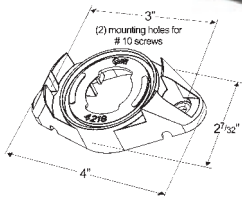
43512 Accommodates 94010, 91400, 92070 Grommets (2 25/32" Hole)

43522 Accommodates 94000, 91410 Grommets (3" Hole)

FOR 2" LAMPS:

43532 Accommodates 94100, 92120, and 92150 Grommets (2 5/16" Hole)

Material: Steel
Finish: Black Enamel

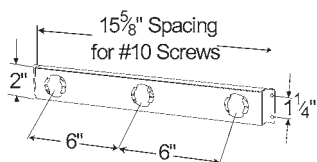


TWIST-IN SURFACE MOUNT BRACKET FOR 2" AND 2 1/2" ROUND LAMPS

3" mounting hole spacing • Supports the use of PC-rated lamps for greater visibility

42180 Gray

Material: Polycarbonate
Finish: Gray



BAR LAMP BRACKET FOR 2" AND 2 1/2" ROUND LAMPS

Includes chassis ground UBS harness with blunt-cut power feed

49140 Black

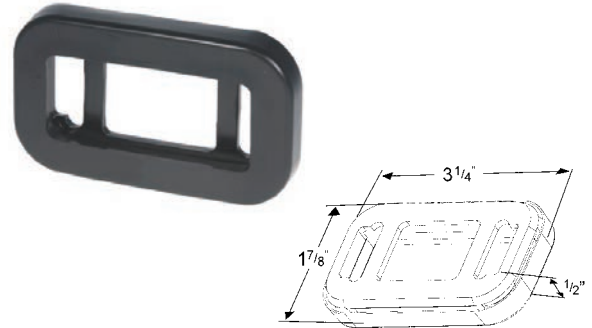
Material: Steel
Finish: Black Enamel
Accessory: Harness: 67740

GROMMET FOR SMALL RECTANGULAR LAMPS

Requires 1 1/2" x 2 7/8" hole (with 3/8" radius corners)

91380 Black

Material: PVC
Finish: Black

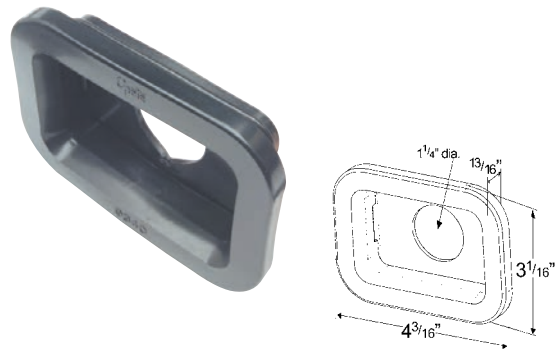


GROMMET FOR SMALL RECTANGULAR LAMPS

Fits 2 1/2" oval style lamps • 2 1/2" x 3 1/2" hole (with 17/32" corners)
• Fits panel thickness up to 3/16"

93400 White
93402 Black

Material: PVC
Finish: Black/White



BRACKET FOR SMALL RECTANGULAR LAMPS

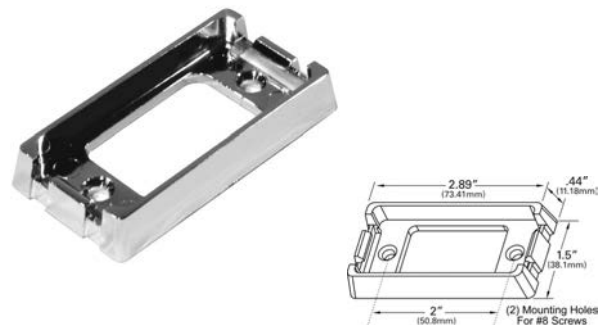
Kits include pigtail and mounting pad • 2" mounting hole spacing

94233 Chrome-Plated

KITS:

43970 Gray
43980 Chrome-Plated

Material: Polycarbonate/ABS
Finish: Chrome/Gray



RAIL-MOUNT BRACKET FOR SMALL RECTANGULAR LAMPS

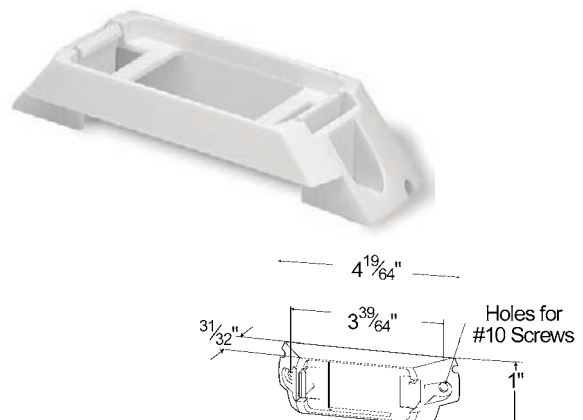
Mountable at 45° angle for PC applications • Includes single-seal pigtail
• Cut-out design for rail mountings • 3 39/64" mounting hole spacing

42131 White

KITS:

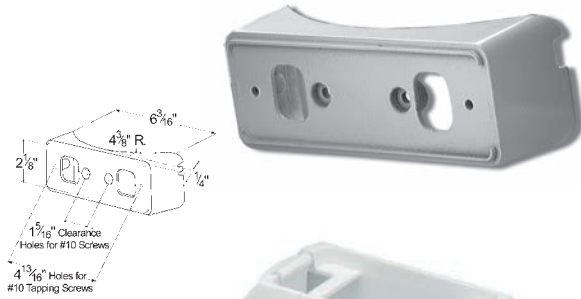
43370 White (42131 + 67050)

Material: Polycarbonate
Finish: White



Pigtails, Brackets and Grommets

Spirales de Raccord, Bague de Montage et Supports Conectores / Soportes rígidos y flexibles

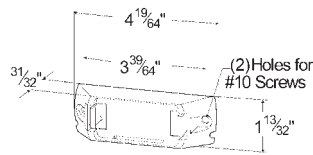


4 3/4" CORNER RADIUS BRACKET

For use with PC-rated lights

43050 Gray

Material: Polycarbonate
Finish: Gray



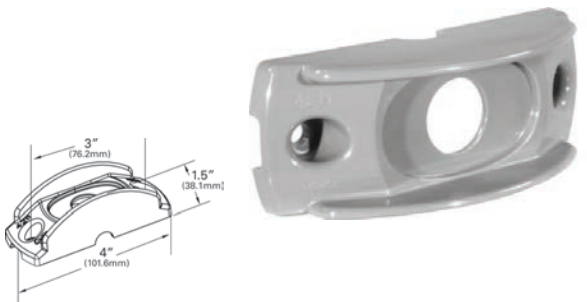
HEADER-MOUNT BRACKET FOR SMALL RECTANGULAR LAMPS

Mountable at 45° angle for PC applications • Includes single-seal pigtail
• Narrow rail applications • 3 39/64" mounting hole spacing

42141 White

KITS:
43380 White (42141 + 67050)

Material: Polycarbonate
Finish: White



SURFACE MOUNT BRACKET FOR MICRONOVA® OR MICRONOVA DOT

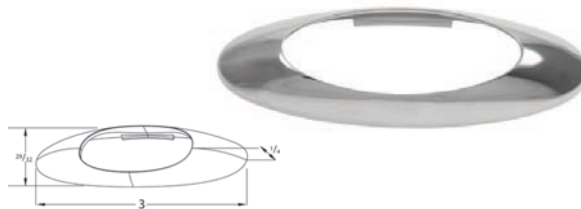
Armored design to protect the lamp from damage • 3" mounting hole spacing

42110 Gray

42112 Black

42120 Gray, Corner Radius Bracket **NEW**

Material: Polycarbonate
Finish: Gray/Black

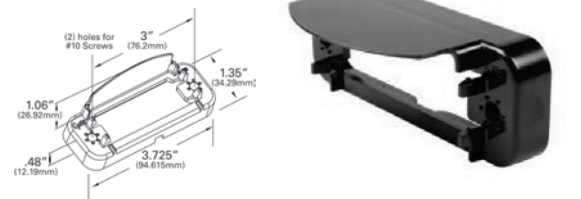


MICRONOVA® LAMP BEZEL

Corrosion resistant, chrome-plated

93803 Chrome-Plated

Material: ABS
Finish: Chrome

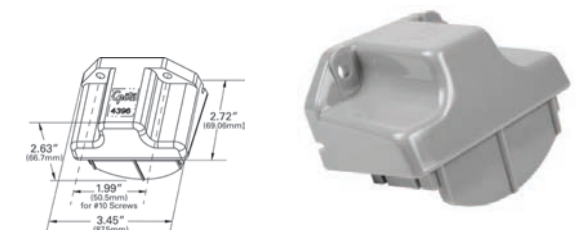


LICENSE LAMP BRACKET

Anti-glare shield eliminates stray light from distracting following motorists
• 3" mounting hole spacing

42162 Black

Material: Polycarbonate
Finish: Black



LICENSE LAMP MOUNTING BRACKET

Features a snap-fit mounting for quick installation and easy replacements
• Fits license lamp 60671, 60261, 60601 Anti-glare shield eliminates stray light from distracting following motorists • Ideal for license, instrument and step lighting applications • 2" mounting hole spacing

43960 Gray

43962 Black

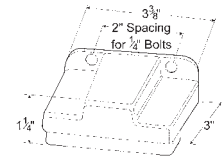
Material: Polycarbonate
Finish: Gray/Black

LICENSE LAMP MOUNTING BRACKET

Fits license lamp 60261 • Ideal for license, instrument, and step lighting applications • Thin design reduces mounting space requirements

43830 Gray

Material: Polycarbonate
Finish: Gray
Grommet: 92520

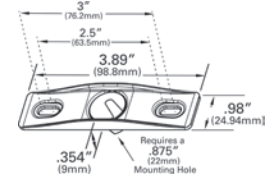


MICRONOVA® DOT ADAPTER BRACKET

Allows the MicroNova® DOT to mount directly to the vehicle using this bracket or snap-fit into compatible 4378 series mounting brackets
• 2 1/2" - 3" mounting hole spacing

94350 Gray **NEW**

Material: Polycarbonate
Finish: Gray



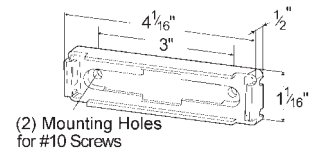
MOUNTING BRACKET FOR LARGE RECTANGULAR LAMPS

Unique connector design with plug-in pigtail • 3" mounting hole spacing

43780 Gray Bracket
43783 Chrome-Plated Bracket

KITS:
43390 Gray (43780 + 66981)
43790 Gray (43780 + 66980)

Material: Polycarbonate/ABS
Finish: Gray/Chrome

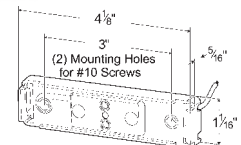


LOW PROFILE MOUNTING BRACKET

Bracket-contained plug • Legal mount for combination clearance/marker lamp when mounted on a 45° angle (PC) • 3" mounting hole spacing

43850 Gray

Material: Polycarbonate
Finish: Gray

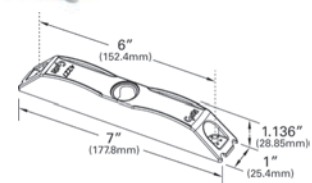


MICRONOVA® DOT MOUNTING BRACKET

Allows the MicroNova® DOT to mount directly to the vehicle • great for narrow surface mount applications • 6" mounting hole spacing

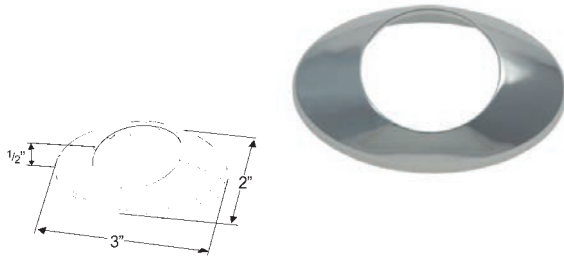
42270 Gray **NEW**

Material: Polycarbonate
Finish: Gray



Pigtails, Brackets and Grommets

Spirales de Raccord, Bague de Montage et Supports Conectores / Soportes rígidos y flexibles

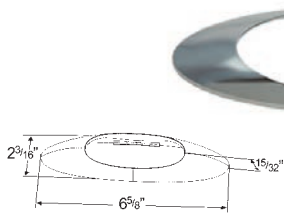


M3 SERIES LAMP BEZEL

For use with M3 style cab markers

93473 Chrome

Material: ABS
Finish: Chrome



M1 SERIES LAMP BEZEL

For use with M1 style cab markers

93453 Chrome

Material: ABS
Finish: Chrome

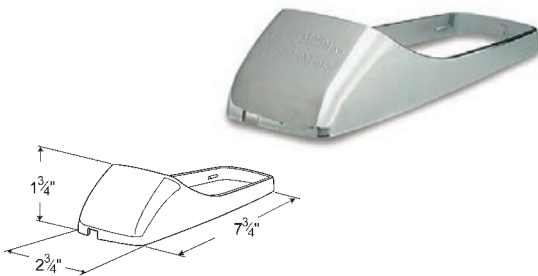


TRILLIANT BEZEL

For use with Trilliant Work Lamp

98100 Chrome-Plated **NEW**

Material: Aluminium
Finish: Chrome

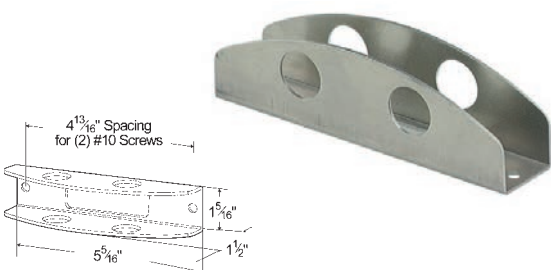


SMALL CAB MARKER BEZEL

Can be installed while lamps are mounted

92583 Bezel

Material: ABS
Finish: Chrome



THIN-LINE LED LAMP GUARD

Cutaway to accept plug-in pigtail

43074 Aluminum

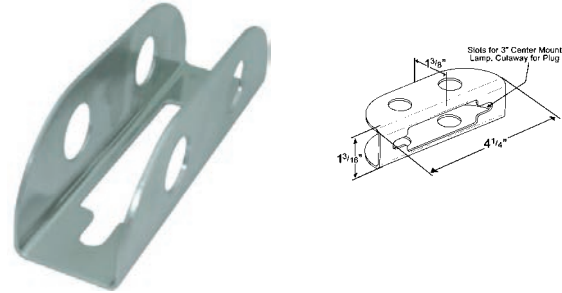
Material: Aluminum
Finish: Aluminum

THIN-LINE 3" LAMP GUARD

Cutaway to accept plug-in pigtail

43230 Aluminum

Material: Aluminum
Finish: Aluminum

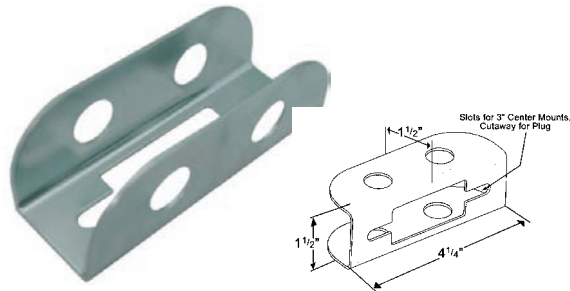


LAMP GUARD FOR SMALL RECTANGULAR LAMPS

Cutaway to accept plug-in pigtail

43120 Aluminum

Material: Aluminum
Finish: Aluminum

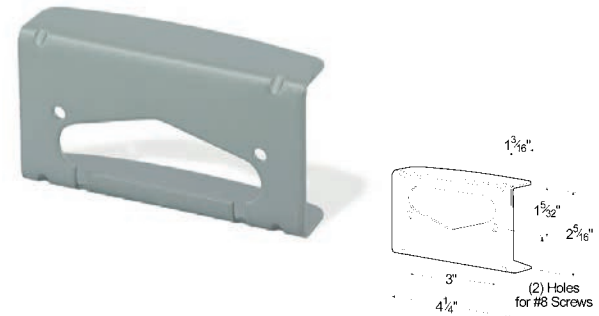


STEEL LAMP GUARD

Fits single and 2-bulb oval and square corner clearance/marker lamps
• 3" mounting hole spacing

43144 Steel

Material: Steel
Finish: Silver



CHROME BUTTRESS-STYLE LAMP GUARD

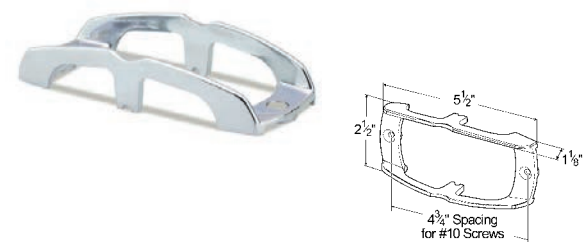
Use with 2" x 4" oval surface mounted lamps 4 3/4" mounting hole spacing

43673 Chrome-Plated

43673-5 Chrome-Plated

RETAIL

Material: ABS
Finish: Chrome

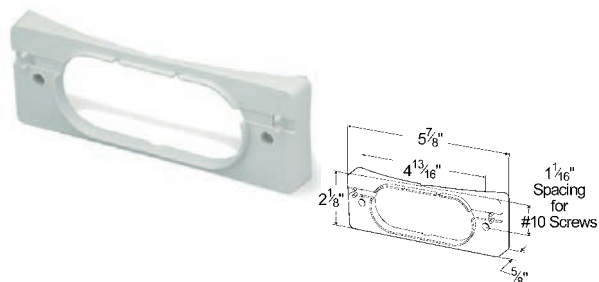


9 1/2" CORNER RADIUS BRACKET

PC-regulation mount for Turtleback® II

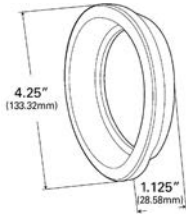
43030 White

Material: Polycarbonate
Finish: White



Pigtails, Brackets and Grommets

Spirales de Raccord, Bague de Montage et Supports Conectores / Soportes rígidos y flexibles



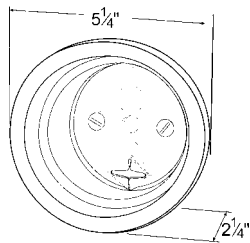
GROMMET FOR 4" ROUND LAMPS

Requires 4 1/2" hole • Fits panel thickness up to 1/4"

91740 Grommet

KITS:
67150 Grommet w/Pigtail (91740 + 67000)

Material: PVC
Finish: Black

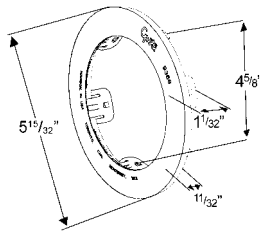


CLOSED BACK GROMMET FOR 4" ROUND LAMPS

For open installations where splash plate is not used • Requires a 4 1/2" hole • Fits panel thickness up to 1/4"

91950 Grommet

Material: PVC
Finish: Black

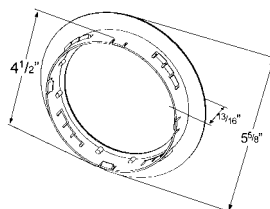


STAINLESS STEEL SNAP-IN THEFT-RESISTANT FLANGE FOR 4" ROUND LED LAMPS

Foam gasket allows for mounting in materials from 1/8" to 1/4" thick with a mounting hole size 4 1/2" diameter • No drilling necessary to install

93683 Stainless Steel

Material: Stainless Steel
Finish: Stainless Steel



SNAP-IN THEFT-RESISTANT FLANGE FOR 4" ROUND LED LAMPS

Panel thickness 1/8" to 1/4"; mounting hole size 4 1/2" diameter

93552 Black
93553 Chrome-Plated

Material: ABS
Finish: Black/Chrome

THEFT-RESISTANT FLANGE FOR 4" ROUND LAMPS

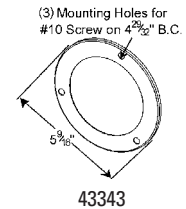
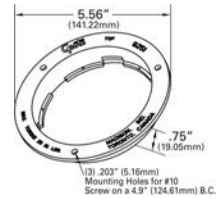
Fits 4" round LED and incandescent lamps • Mounting hole size 4 1/2" diameter

- 92510** White, Polycarbonate
- 92512** Black, Polycarbonate
- 92513** Chrome-Plated, ABS
- 92511** Gray, Polycarbonate
- 43253** Stainless Steel

SECURITY RING

- 43343** Stainless Steel Security Ring (must be used with flange)

Material: Polycarbonate; Stainless Steel; ABS
Finish: White; Gray; Black; Chrome; Stainless Steel

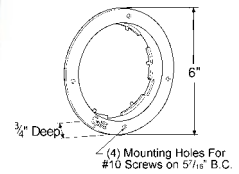


THEFT-RESISTANT BETTS LIGHTING ADAPTER

Allows users to retrofit their Betts® brand lighting to Grote mounting dimensions • Retrofits to Grote 4" round sealed lamps and LEDs • Mounting hole size 4 1/2" diameter

- 93190** Gray

Material: Polycarbonate
Finish: Gray

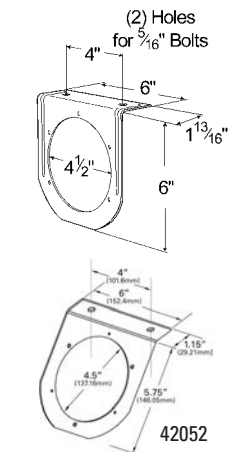


MOUNTING BRACKET FOR 4" ROUND LAMPS

Accepts lamp equipped with a grommet or flange • 4" mounting hole spacing

- 43572** Black, 90° angle bracket
- 42052** Black, 45° angle bracket

Material: Steel
Finish: Black Powder Coated
Grommet: 91740

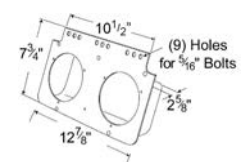


MOUNTING MODULE FOR 4" ROUND LAMPS

Closed back, rear lamp module for lamps requiring 4 1/2" hole opening • Accepts lamps equipped with a grommet or flange

- 43655** Yellow Zinc
- 51090** Gray

Material: Steel
Finish: Yellow Zinc/Gray Powder Coated



Pigtails, Brackets and Grommets

Spirales de Raccord, Bague de Montage et Supports Conectores / Soportes rígidos y flexibles



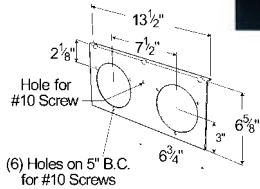
2-LAMP MOUNTING MODULE FOR 4" ROUND LAMPS

Two 4 1/2" holes to hold standard recessed lamps or grommet-mounted 4" round lamps and an area to mount one 2 1/2" center mount reflector

- Accepts lamps equipped with a grommet or flange

43642 Black, Powder Coated

Material: Steel
Finish: Black

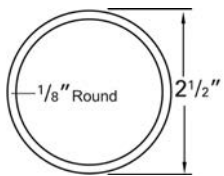
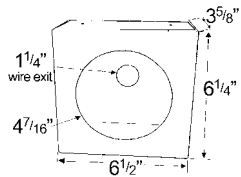


MOUNTING MODULE FOR 4" ROUND LAMPS

Black enamel-coated steel construction • Use with 4" LED strobes or any 4" round lamp • Accepts lamp equipped with a grommet or flange

43732 Black

Material: Steel
Finish: Black



O - RING

94110 O-Ring



SNAP RING

99593 Use with 50222 and 50352

99595 Use with 50232 and 55092

Material: Stainless Steel
Finish: Stainless Steel

Pigtails, Brackets and Grommets

Spirales de Raccord, Bague de Montage et Supports Conectores / Soportes rígidos y flexibles

GROMMET FOR 6" OVAL LAMPS

Fits 2 1/2" x 6 3/4" oval hole • Fits panel thickness up to 1/4"

- 92420** Open Grommet
- 92720** Closed Back Grommet

KITS:

- 67151** Open Grommet (92420 + 67000)

Material: PVC
Finish: Black

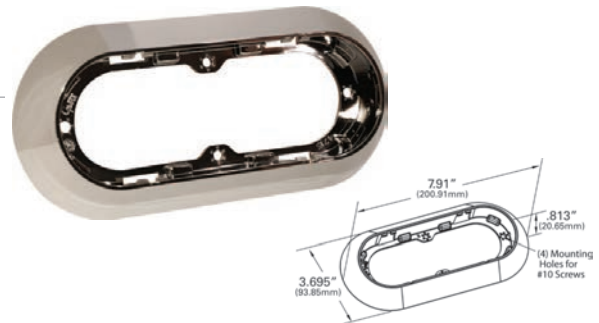


SURFACE MOUNT SNAP-IN FLANGE FOR 6" OVAL LAMPS

Allows for quick and easy surface mount application • Designed to work with 5413, 5414, 5416, 5417 product lines only.

- 42152** Black, Polycarbonate
- 42153** Chrome, ABS

Material: Polycarbonate/ABS
Finish: Black/Chrome

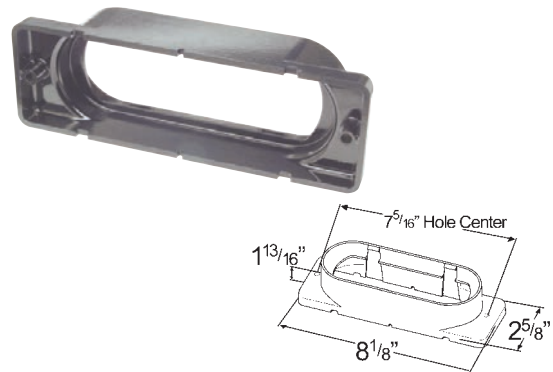


MOUNTING BRACKET FOR 6" OVAL LAMPS

Can be used with any Grote oval LED or incandescent lamp • Ideal for adding LED strobe lamps to a vehicle • 7 5/16" mounting hole spacing

- 43172** Black

Material: Polycarbonate
Finish: Black



THEFT-RESISTANT MOUNTING FLANGE FOR 6" OVAL LAMPS

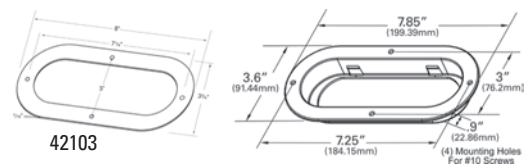
Attractive add-on option improves the look of any rig or trailer • Security ring fits over existing oval theft resistant mounting flanges

- 43220** Gray, Polycarbonate
- 43222** Black, Polycarbonate
- 43223** Chrome-Plated, ABS
- 43723** Stainless Steel

SECURITY RING

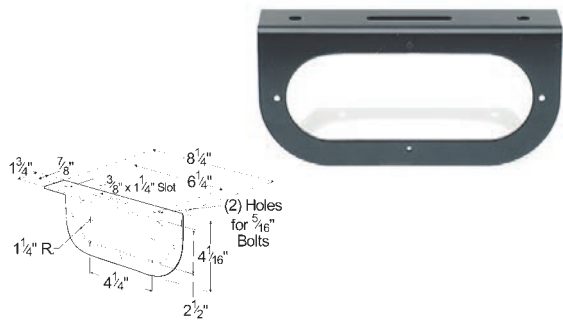
- 42103** Stainless Steel Security Ring (must be used with flange)

Material: Polycarbonate/Stainless Steel/ABS
Finish: Gray/Black/Stainless Steel/Chrome



Pigtails, Brackets and Grommets

Spirales de Raccord, Bague de Montage et Supports Conectores / Soportes rígidos y flexibles



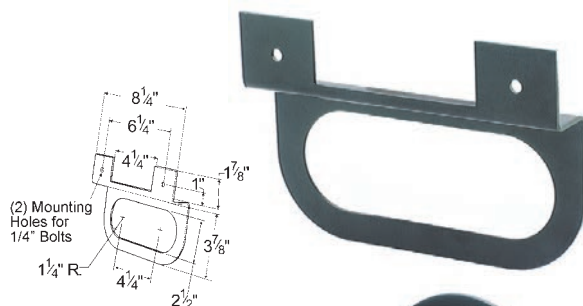
MOUNTING BRACKET FOR 6" OVAL LAMPS

Accepts lamp equipped with a grommet or flange • 6 1/4" mounting hole spacing

43362 Black, 90° angle bracket

42042 Black, 45° angle bracket

Material: Steel
Finish: Black
Grommet: 92420

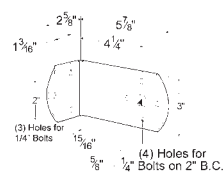


"Z" MOUNTING BRACKET FOR OVAL LAMPS

Heavy gauge steel, baked black enamel finish • Accepts lamp equipped with a grommet or flange • 6 1/4" mounting hole spacing

43952 Black

Material: Steel
Finish: Black

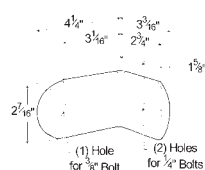


7" JUMBO MOUNTING BRACKET

Heavy gauge steel

43282 Black, Powder Coated

Material: Steel
Finish: Black

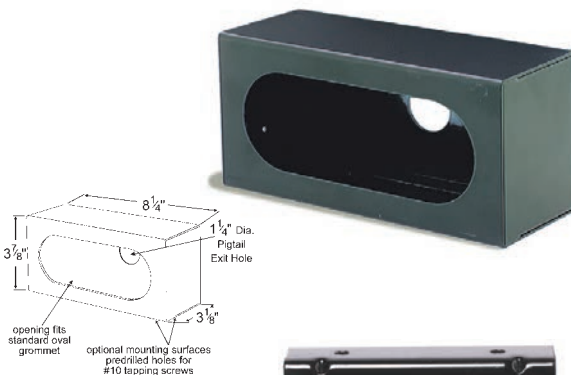


MOUNTING BRACKET

Detachable angle mounting bracket for single and double-face lamps

43292 Black, Powder Coated

Material: Steel
Finish: Black

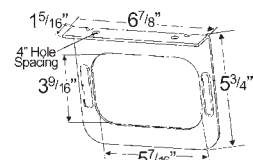


MOUNTING BRACKET FOR OVAL LAMPS

Accepts lamp equipped with a grommet or flange

43100 Black

Material: Steel
Finish: Black
Grommet: 92420



RECTANGULAR STOP/TAI/TURN LAMP L BRACKET

Rugged 11 gauge steel construction • Black enamel-coated finish
• 4" mounting hole spacing • Accepts lamp equipped with a grommet

43212 Black

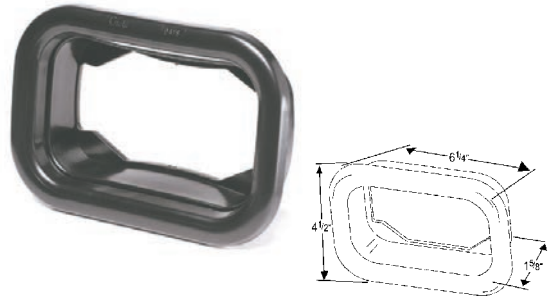
Material: Steel
Finish: Black

GROMMET FOR RECTANGULAR LAMPS

Requires 5 7/16" x 3 9/16" hole with 1" radius corners • Fits panel thicknesses up to 5/16"

94180 Mounting Grommet

Material: PVC
Finish: Black

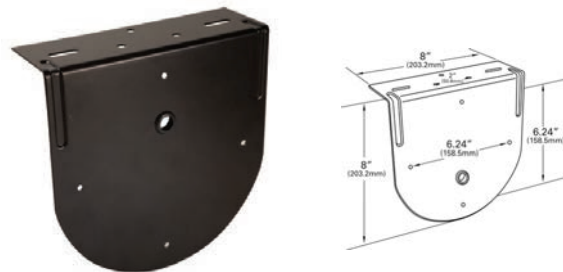


MOUNTING BRACKET FOR 7" ROUND LAMPS

Provides multiple mounting options for 7" round lamps

93982 Black, Powder Coated

Material: Steel
Finish: Black

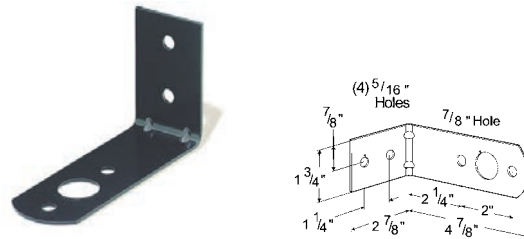


PEDESTAL LAMP MOUNTING BRACKET

For right- or left-hand 2-stud class "A" pedestal lamps

43112 Black, Powder Coated

Material: Steel
Finish: Black

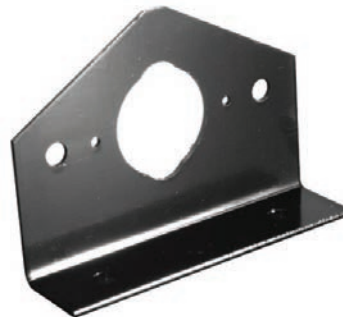


4/5/6 POLE KNOCKOUT MOUNTING BRACKET

Can accommodate 4-pole to 6-pole socket requirements • Made of anti-corrosive steel, painted black

43942 4 and 6 pole socket bracket

Material: Steel
Finish: Black

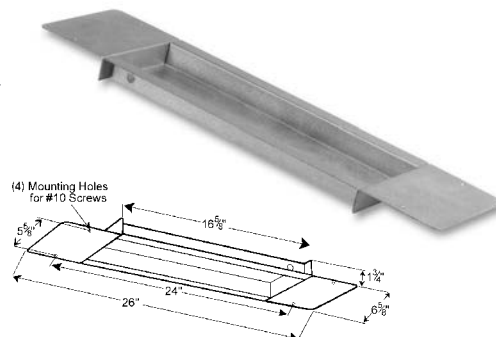


RECESSED FLUORESCENT LAMP PAN

Provides a rigid mounting surface for fluorescent lamps • Fits Grote's fluorescent lamp 61511 • Keeps insulation away from lamp

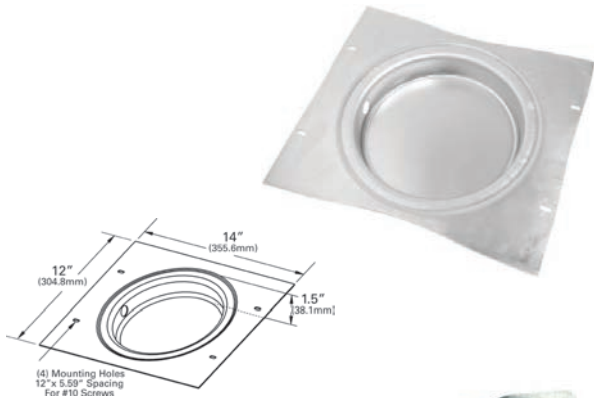
43540 Recessed Pan

Material: Aluminum
Finish: Polished



Pigtails, Brackets and Grommets

Spirales de Raccord, Bague de Montage et Supports Conectores / Soportes rígidos y flexibles

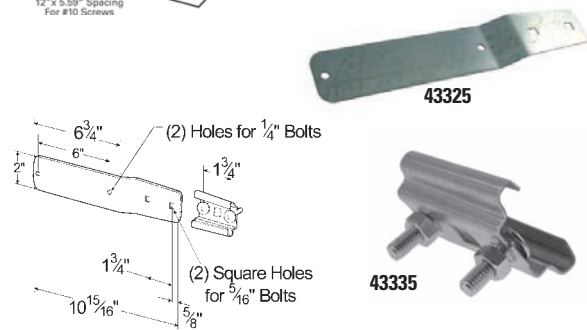


12" RECESSED MOUNTING PAN FOR 7" LED LAMPS

Provides a rigid mounting surface for LED lamps • Fits Grote® LED 61811 lamps • Grommet available for wire exit hole, 60-1000-06 • Keeps insulation away from lamp

43744 Recessed Pan

Material: Aluminum
Finish: Aluminum



SLOW-MOVING VEHICLE EMBLEM BRACKETRY

Easy installation • Use with slow moving vehicle emblem (emblem not included)

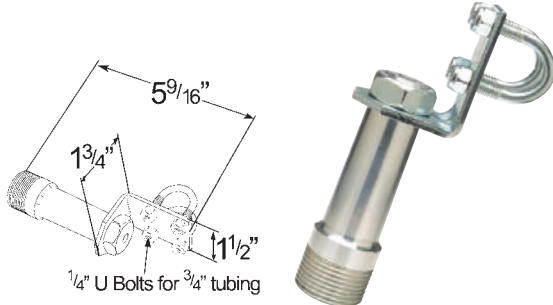
EMBLEM BRACKET:

43325 Steel

MOUNTING BRACKET:

43335 Steel

Material: Steel
Finish: Galvanized



STROBE AND BEACON MOUNTING BRACKET FOR MIRROR BRACKETRY

Allows for mounting of strobe and beacon warning lamps to mirror bracket assembly

PIPE MOUNT:

93600 Aluminum/Steel Bracket w/ 1" Built-in Mount

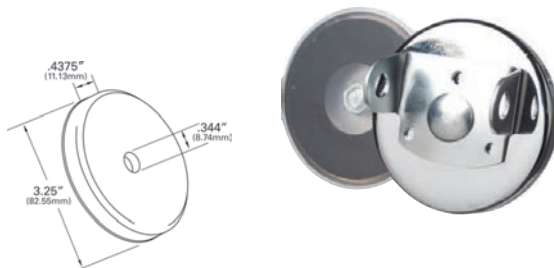
Material: Aluminum / Steel
Finish: Gray



STROBE MOUNTING KIT

Use with low-, medium-, and high-profile strobe lamps • Includes an adhesive magnet pad to prevent scratching of vehicle surface

97750 Magnet Kit & Lighter Plug



REPLACEMENT MAGNETIC MOUNT

Can be used as a magnetic mount on PAR 36 rubber tractor and utility lamps • Has adhesive magnet pad to prevent scratching of vehicle metal underneath magnet • 80 lbs. pull magnet

43300 Magnetic Mount

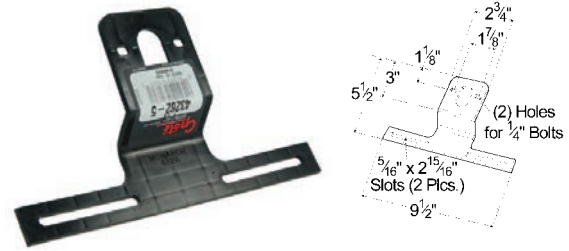
Material: Steel
Finish: Chrome

UNIVERSAL OFFSET LICENSE PLATE BRACKET

For use with most standard two-stud box-style lamps and license plates

43262-5 Black **RETAIL**

Material: Polypropylene
Finish: Black

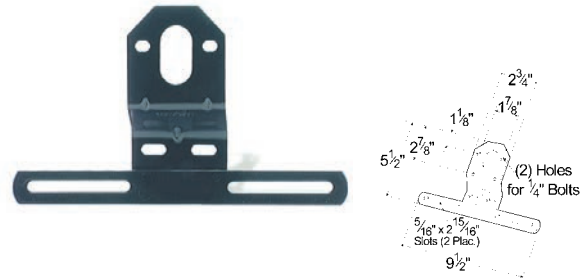


UNIVERSAL STEEL OFFSET LICENSE PLATE BRACKET

For use with most standard two-stud box-style lamps and license plates

43022 Black, Powder Coated
43022-5 Black, Powder Coated **RETAIL**

Material: Steel
Finish: Black

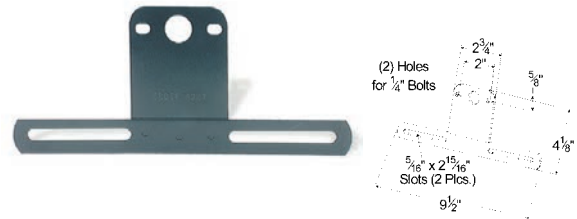


LICENSE PLATE BRACKET

For use with most standard two-stud box-style lamps and license plates

43272 Black, Powder Coated
43272-5 Black, Powder Coated **RETAIL**

Material: Steel
Finish: Black

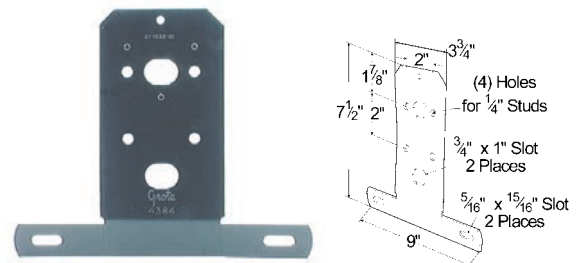


UNIVERSAL LICENSE PLATE BRACKET

For use with most standard two- or three-stud box-style lamps and license plates

43842 Black, Powder Coated

Material: Steel
Finish: Black



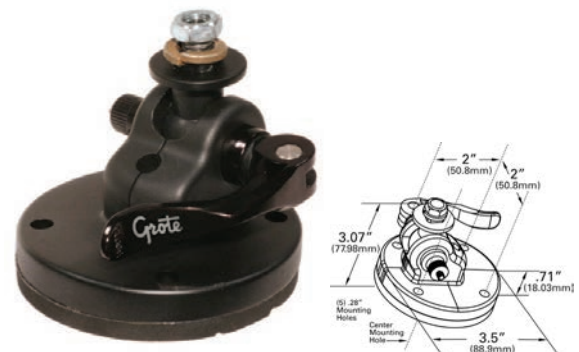
ADJUSTABLE BRACKET FOR TRILLIANT® LAMPS

Adjustable and lockable bracket for the Trilliant® LED Whitelight™ lamps

- Provides more aiming control and more reliability than the standard bracket
- Cantilever locking mechanism stays in place in even the harshest environments

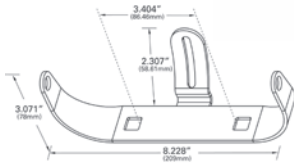
43651 Bracket, White
43652 Bracket, Black

Material: Zinc
Finish: Black or White



Pigtails, Brackets and Grommets

Spirales de Raccord, Bague de Montage et Supports Conectores / Soportes rígidos y flexibles

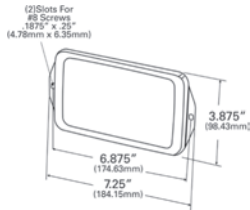


MOUNTING BRACKET FOR TRILLIANT®

Replacement bracket for the Trilliant Work Lamp

21-1313-03 Bracket, Black **NEW**

Material: Steel
Finish: Black

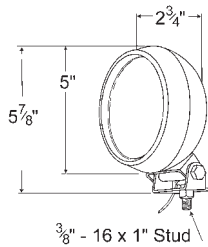


FLUSH-MOUNT WORK LAMP BRACKET

Add-on bracket to convert the Trilliant® Mini LED Work Lamp into a flush-mount lamp

94690 Stainless Steel

Material: Stainless Steel
Finish: Stainless Steel

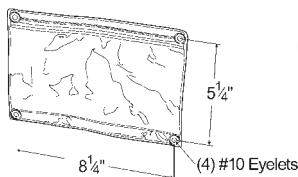


PAR 36 RUBBER TRACTOR HOUSING

Shock-absorbing, weather-proof body • Swivel mount

64930 Black

Material: Rubber
Finish: Black



VINYL PERMIT HOLDER

Laminated for all-weather protection • Sealing zipper for easy insertion of paper

43411 Vinyl

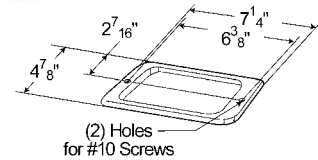
Material: Vinyl/Aluminum
Finish: Green/Aluminum

ALUMINUM PERMIT HOLDER

Heavy-formed, rustproof housing • Includes vinyl pouch

43424 Aluminum

Material: Aluminum w/ Vinyl Pouch
Accessory: Vinyl Pouch: 43441

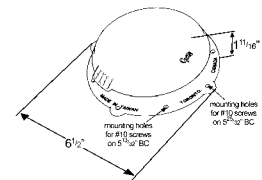


DOCUMENT HOLDER

Rugged construction • Chemical-resistant, Ray-Ban® colored lens now has a darker tint • Comes with document protector polybag • Two mounting options for flexibility • Can be installed using pop-riquets

43901 Gray

Material: Polycarbonate
Finish: Gray/Smoke
Lens: Smoke 93351



ELECTRICAL SEALANT

Special dielectric silicone compound seals out moisture, salt and corrosives protects plug-ins and other electrical fittings

99580 1 1/4 Oz. Tube



ULTRA-SEAL CORROSION-PREVENTIVE SEALANT

Cost-effective product prevents rust and corrosion • Good mechanical stability • Added tackifiers improve adhesion and resistance to washout • Has a 25% higher non-conductivity rating compared to the competition • Operating range -40°F to 302°F

99170 4 oz. (118 ml.) Tube

99180 8 oz. (236 ml.) Tub



RETAIL DISPLAY:

99170-1 Display (12 of 99170)

RETAIL