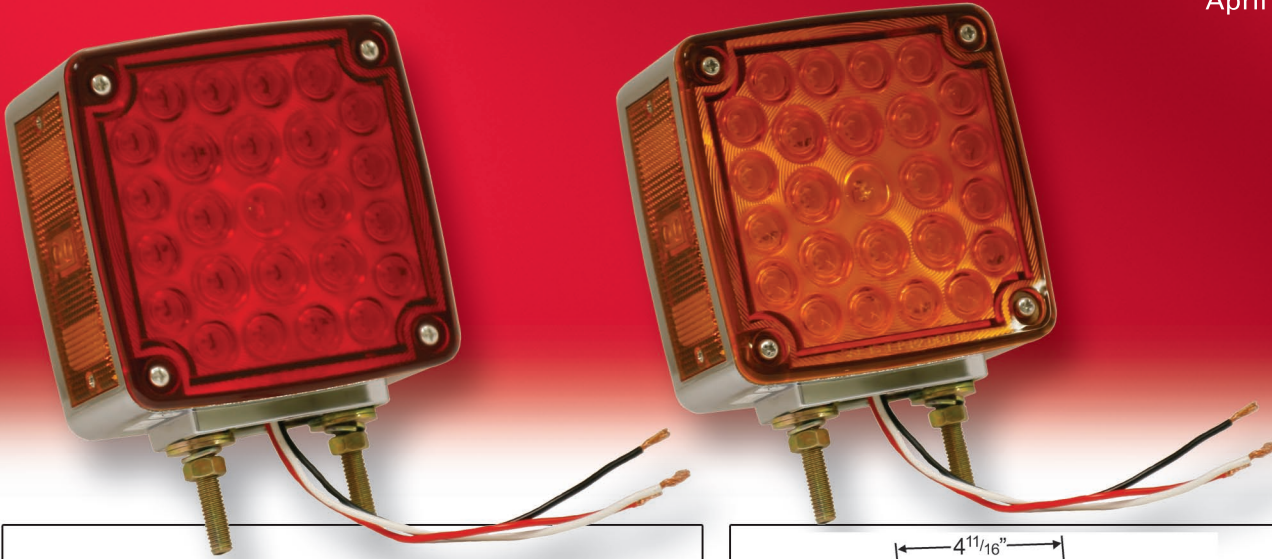


# Hi Count LED Double Face Pedestal Lamp Product Data Sheet

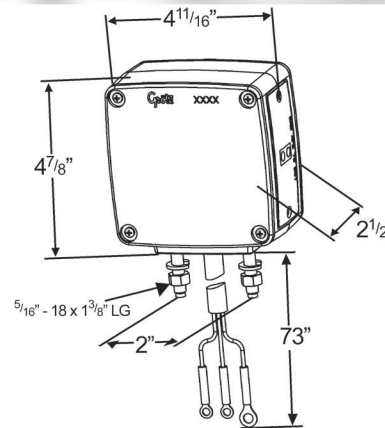
April 2007



- Attractive multiple diode design
- 2 Stud mounting bolts
- Right hand and Left hand options with sidemarkers

#### Product Features and Benefits:

- Not Lens Replaceable
- 25 diodes on each side (red and amber) and 2 in the side marker position
- 3 wire harness for power supply



#### G5530/G5540

Material: Polycarbonate, Die Cast housing

Finish: Red/Amber

Operating Voltage/Amp Draw: 12V/.775(I)/.038 (P2/T)

Part Number	Catalog Pg #	Market	Light Source	Operating Voltage	Current Draw	Interchange
G5530	NA	LH	LED	12V	.775/.185	
G5540	NA	RH	LED	12V	.775/.185	



The first name in vehicle safety systems®

2600 Lanier Drive Madison, Indiana U.S.A 47250-0550  
U.S. 800.457.9540 Canada 800.268.5612

www.grote.com

GLB-2007-23