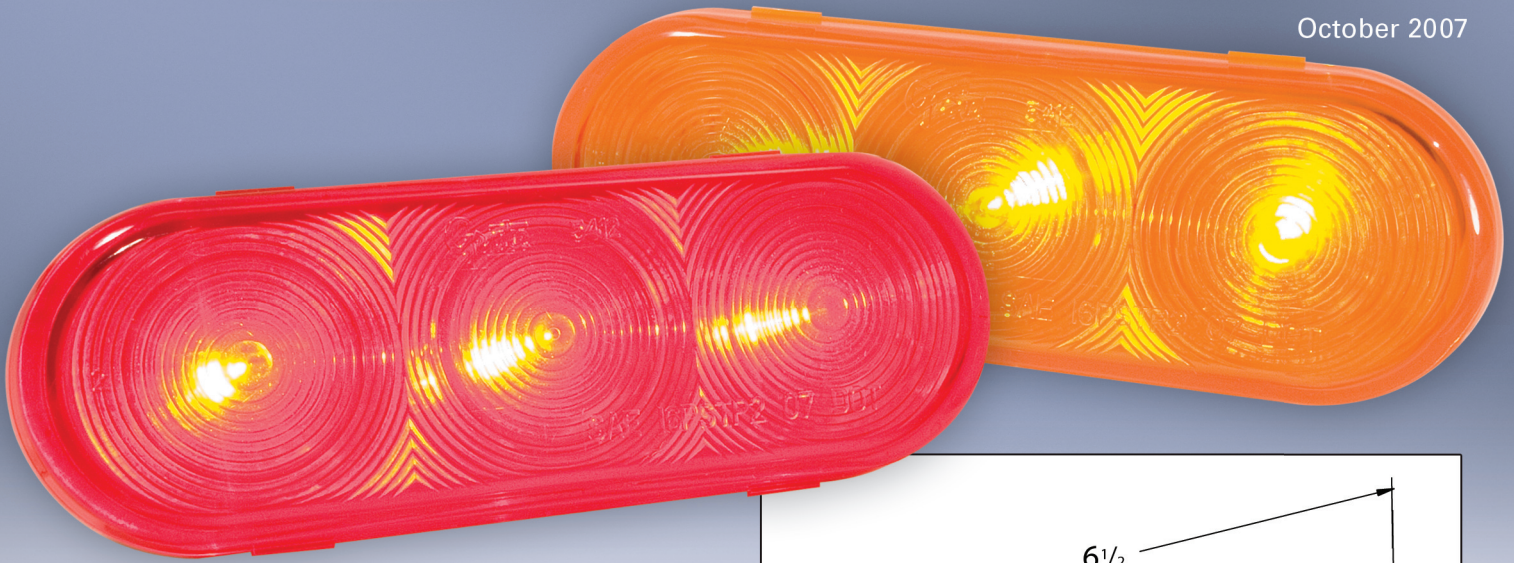


Oval **LED** Stop, Tail, Turn Lamp

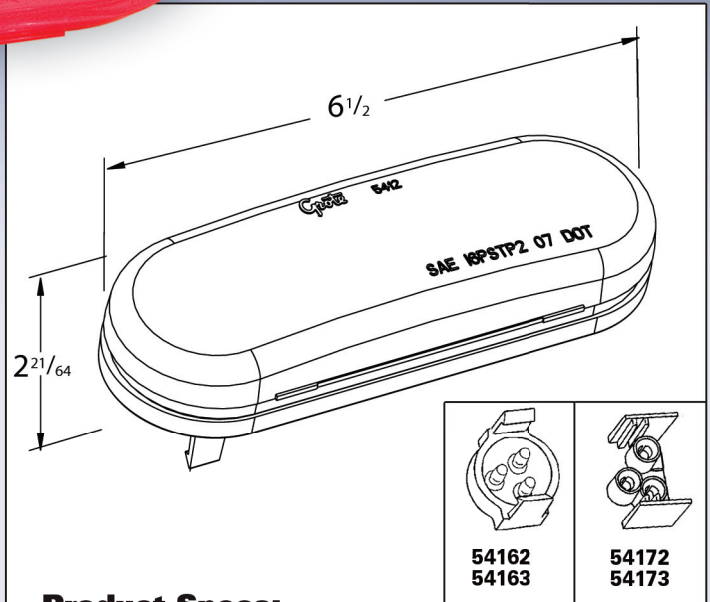
Product Data Sheet

October 2007



Product Features and Benefits:

- High visibility optics combined with high output LED's result in a high performing and cost effective stop, tail and turn lamp
- Available in both standard and OE style termination for easy retrofit or replacement
- Electronics completely encapsulated with durable epoxy for maximum protection from the environment
- Fits current mounting flanges and grommets



Product Specs:

54162/54163 Grote Male Pin
54172/54173 Standard Termination
 Material: Acrylic, ABS
 Finish: Base- White; Lens- Red / Amber
 FMVSS Code: 16, P, S, T, P2

Part Number	Market	Light Source	Operating Voltage	Current Draw	Interchange
54162	NA	LED	13.5	.02(T)/ .14 (I,S)	NA
54163	NA	LED	13.5	.02(T)/ .14 (I,S)	NA
54172	NA	LED	13.5	.02(T)/ .14 (I,S)	NA
54173	NA	LED	13.5	.02(T)/ .14 (I,S)	NA



2600 Lanier Drive Madison, Indiana U.S.A 47250-0550
 U.S. 800.628. 0809 Canada 800.268.5612

www.grote.com