

MicroNova® DOT LED License Lamp

Product Information Sheet

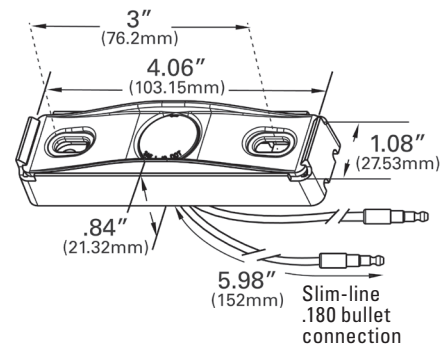
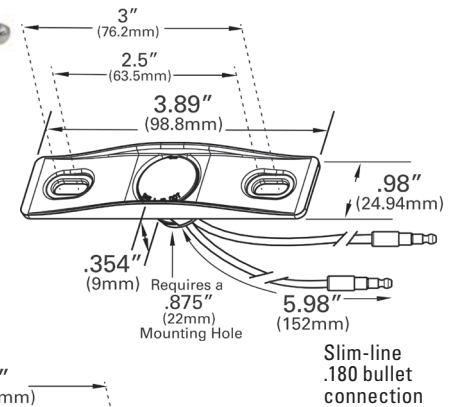
L I C E N S E A N D B A C K - U P



60661



60711
(Kit shown assembled)



- Durable one-piece LED lamp with Snap-fit bracket
- Hardwired with .180 slim-line UBS plug connections for maximum performance
- Direct replacement to existing 60291 (Incandescent) offering
- Fits all existing mounting brackets and environments
- 60661 can be mounted directly to the vehicle or can snap-fit into compatible mounting brackets
- 60711 Kit - 43780 mounts to vehicle allowing 60661 to easily snap into bracket
- 60661 can snap into a 43850 bracket after black pigtail plug is cut and removed

MATERIAL: POLYCARBONATE
FINISH: CLEAR
FMVSS: L, ECE R4
VOLTAGE AMP: .05A @ 14V
BRACKETS: 43780, 43783, 43850
ADAPTOR PLATE: 94350
REPLACEMENT LAMP: 60651



60721
DOT License Lamp with Hooded Grommet Mounts in a 3/4" hole

Part Number	Operating Voltage	Amperage	Interchange
60661 - Lamp with Adaptor Bracket	12V	.05A @ 14V	LED NA (Incandescent - TL19206, P154C)
60711 - Kit (60661 + 43780)	12V	.05A @ 14V	LED NA (Incandescent - TL19206, P154C)

grote.com

2600 Lanier Drive, Madison, Indiana U.S.A. 47250-0550
 U.S. 800.628.0809 Canada 800.268.5612



The first name in vehicle safety systems®