

# Theft-Resistant 4" Snap-In Mounting Bracket

Product Information Sheet

PIGTAILS, GROMMETS AND BRACKETS

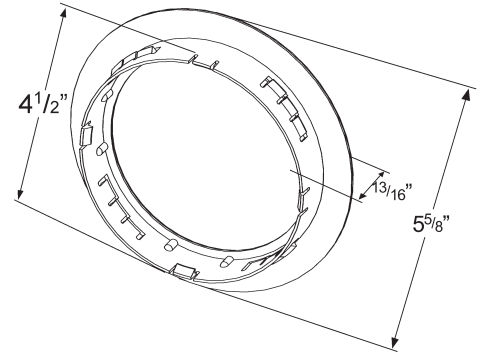


## PRODUCT SPECIFICATIONS

### MATERIAL:

Black Polycarbonate

Finish: Gray/Black/Chrome



Grote's Theft-Resistant 4" Snap-In Mounting Brackets reduces installation time; fits same size holes as industry standard PVC grommets.

- Flange is held in place by snap tabs instead of screws for fast and easy installation
- No drilling to install, can help reduce installation time by more than 60%
- Foam gaskets allow for mounting in materials from .120" to .250" thick

| Other Part Number    | Description  |
|----------------------|--|
| 93553 (93553-3 bulk) | Theft-Resistant 4" Snap-In Mounting Bracket (Chrome) |
| 93552 (93552-3 bulk) | Theft-Resistant 4" Snap-In Mounting Bracket (Black)  |

2600 Lanier Drive, Madison, Indiana U.S.A. 47250-0550

U.S. 800.628.0809 Canada 800.268.5612

Europe +49 9962/20008-0 Mexico 011 (52) 81-8262-4400

GLB2014-44

[grote.com](http://grote.com)

**Grote**

The first name in vehicle  
safety systems®