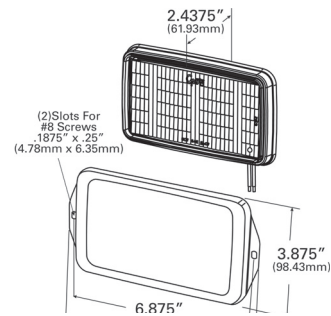


# Trilliant® Mini Flush Mount LED Whitelight™ Work Lamp

Product Information Sheet

FORWARD LIGHTING



This lamp offers a wide variety of utilitarian applications with the longevity and ruggedness of LEDs.

## PRODUCT FEATURES AND BENEFITS

- Perfect for mounting in situations where knock-off might be a problem
- Flood pattern gives a wide cast near the mounting source
- 50,000 hour LED Whitelight™ for long lasting service
- Greater Lumen output with lower power consumption than leading competitors version

## PRODUCT SPECIFICATIONS

**MATERIAL:** DIES CAST HOUSING/POLYCARBONATE LENS/STAINLESS STEEL BEZEL  
**FINISH:** BLACK/STAINLESS  
**VOLTAGE/AMP:** 12V - .8A

Part Number	Market	Light Source	Operating Voltage	Amperage	Interchange
63610	UTILITY	LED	12V	.8 AMP	NA

[grote.com](http://grote.com)

2600 Lanier Drive, Madison, Indiana U.S.A. 47250-0550

U.S. 800.628.0809 Canada 800.268.5612

**Grote**

The first name in vehicle safety systems®