

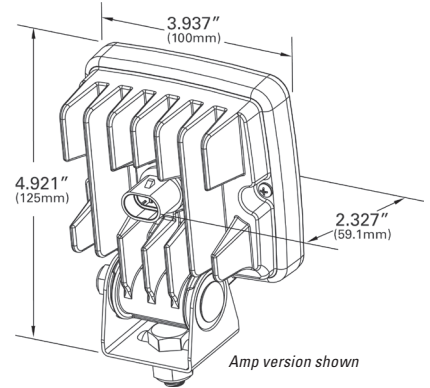
Trilliant® Cube LED WhiteLight™ Work Lamp

Product Information Sheet

FORWARD LIGHTING



Trilliant®
CUBE¹⁰⁰⁰



LED performance in a new rugged package provides mounting flexibility, small size, and powerful performance.

- Strong die cast aluminum housing stands up to shock and harsh workplace environments.
- Rugged stainless steel mounting hardware holds fast; provides mounting flexibility and won't rust or rust your equipment.
- Available in TractorPlus™ and Wide Flood beam patterns.
- Leak proof sealed lamp is certified IP69K; stands up to scratches, pressure washing, and harsh weather.
- Available with Amp Superseal and Deutsch connector options.
- Potted for complete circuit board protection against moisture and corrosion.
- Both models are rated at 50,000 hours and project 1,300 lumens.

PRODUCT SPECIFICATIONS

MATERIAL: POLYCARBONATE / ALUMINUM / STAINLESS STEEL HARDWARE
FINISH: BLACK
SPECIFICATIONS: J575E, IP69K, EMC RATED - 72/245/EEC
PIGTAIL: 68610 - DEUTSCH, 68580 - AMP SUPERSEAL (INCLUDED WITH -5)

Part Number	Termination	Beam Pattern	Light Source	Operating Voltage	Amperage
63981-5	AMP SUPERSEAL	TRACTORPLUS™	LED	10V-30V	1.4A AT 12V / .7A AT 24V
63991-5	AMP SUPERSEAL	WIDE FLOOD	LED	10V-30V	1.4A AT 12V / .7A AT 24V
63E21	DEUTSCH	TRACTORPLUS™	LED	10V-30V	1.4A AT 12V / .7A AT 24V
63E31	DEUTSCH	WIDE FLOOD	LED	10V-30V	1.4A AT 12V / .7A AT 24V

2600 Lanier Drive, Madison, Indiana U.S.A. 47250-0550

U.S. 800.628.0809 Canada 800.268.5612

grote.com

Grote

The first name in vehicle
safety systems®

Trilliant® Cube LED Work Lamp

