

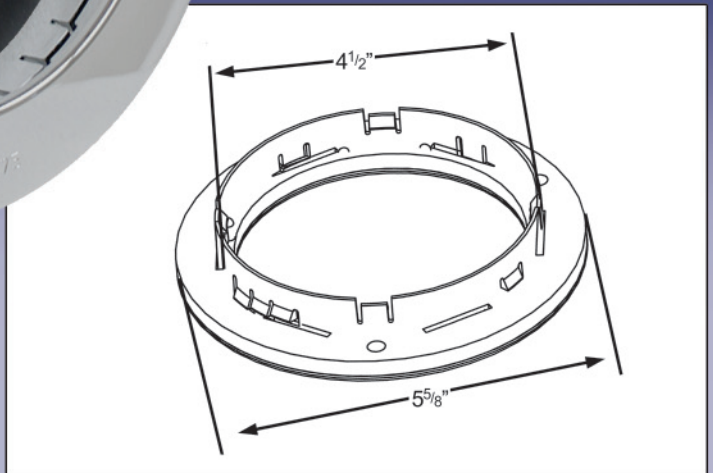
Theft-Resistant 4" Snap-in Mounting Bracket

Product Data Sheet

**THEFT
RESISTANT**



- Reduces installation time
- Fits same size hole as industry standard PVC Grommet



Product Features and Benefits:

- Flange is held in place by snap tabs instead of screws for fast and easy installation
- No drilling to install, can help reduce installation time by more 60%
- Foam gasket allows for mounting in materials from .120" to .250" thick

Material: Polycarbonate
Finish: Gray, Black, Chrome

Part Number	Market	For Light Source	Finish	Current Draw	Interchange
93850 (93850-3 bulk)	Truck/Trailer	Incandescent	Gray	NA	NA
93552 (93552-3 bulk)	Truck/Trailer	LED	Black	NA	NA
93553 (93553-3 bulk)	Truck/Trailer	LED	Chrome	NA	NA
93550 (93550-3 bulk)	Truck/Trailer	LED	Gray	NA	NA

Grote
The first name in
vehicle safety systems®

2600 Lanier Drive Madison, Indiana U.S.A 47250-0550
U.S. 800.628. 0809 Canada 800.268.5612

www.grote.com