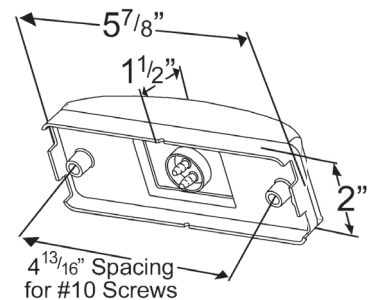
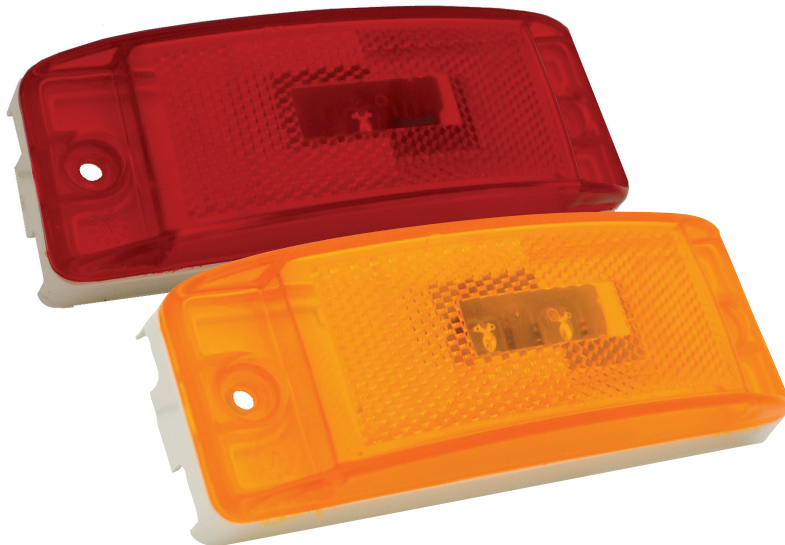


SuperNova® Sealed Turtleback® II Clearance / Marker LED Lamp

Product Information Sheet

CLEARANCE / MARKER LAMPS



- Tin-plated, solid-brass terminals are sealed to the housing, to resist corrosion and eliminate failure-causing leak paths

PRODUCT FEATURES AND BENEFITS

- Encapsulant potting for total circuit-board protection
- Hermetic lens-to-housing seal
- Meets PC function only when mounted at a 45° angle
- Not designed for vertical mount

PRODUCT SPECIFICATIONS

MATERIAL: POLYCARBONATE / ACRYLIC
FINISH: RED / YELLOW
FMVSS: OPTIC - P2, PC; REFLEX - A, P2
VOLTAGE AMP: P2 - 12V / .06A
VOLTAGE AMP: PC - 12V / .12A
VOLTAGE AMP: RED - 24V / .03A
VOLTAGE AMP: YELLOW - 24V / .04A

Part Number	Light Source	Operating Voltage	Amperage	Interchange
47162 - Red - PC Rated (Optical Lens)	LED	12V	.12A	TL21275R
47163 - Yellow - PC Rated (Optical Lens)	LED	12V	.12A	TL21275Y
47072 - Red - Built in Reflector	LED	12V	.06A	TL 21251R, 21880R
47073 - Yellow - Built in Reflector	LED	12V	.06A	TL21251Y, TL21880Y
47032 - Red (47072 + 66910) - Built in Reflector	LED	12V	.06A	TL 21051R, TL 21051R1, TL21080R
47033 - Yellow (47073 + 66910) - Built in Reflector	LED	12V	.06A	TL 21051Y, TL21051Y1, TL 21080Y
47352 - Red, 24-Volt - Built in Reflector	LED	24V	.03A	TL21256R
47353 - Yellow, 24-Volt - Built in Reflector	LED	24V	.03A	TL21256Y
78403 - Yellow - ABS	LED	12V	.06A	NA

grote.com

2600 Lanier Drive, Madison, Indiana U.S.A. 47250-0550

U.S. 800.628.0809 Canada 800.268.5612

Grote

The first name in vehicle safety systems®