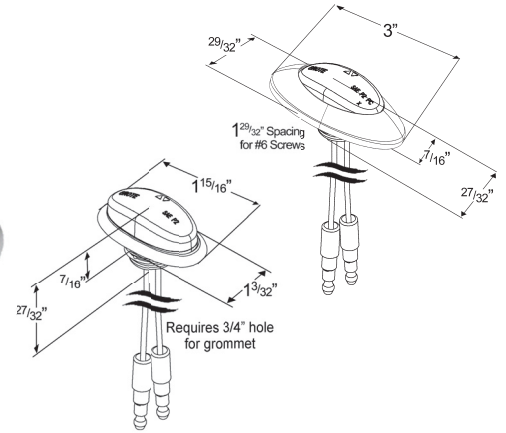


MicroNova® Clearance / Marker LED Lamps

Product Information Sheet

CLEARANCE / MARKER LAMPS



- Low 1/2" profile makes lamp less susceptible to damage

PRODUCT FEATURES AND BENEFITS

- Small size fits in narrow applications
- Hermetic lens-to-housing seal
- Encapsulant potting for total circuit-board protection against vibration and corrosion
- Available in PC version
- Sleek aerodynamic styling
- Grommet mount versions have no exposed fasteners
- Meets PC when mounted at 45° angle

PRODUCT SPECIFICATIONS

MATERIAL: POLYCARBONATE / ABS
FINISH: RED / YELLOW / CHROME
FMVSS: OPTIC - P2, PC; REFLEX - A, P2
VOLTAGE AMP: 12V / .05A

Part Number	Light Source	Operating Voltage	Amperage	Interchange
47952 - Red w/ Chrome Bezel	LED	12V	.05A	NA
47952-5 - Red w/ Chrome Bezel, Retail Pack	LED	12V	.05A	NA
47953-5 - Yellow w/ Chrome Bezel, Retail Pack	LED	12V	.05A	NA
47962 - Red w/ Grommet	LED	12V	.05A	NA
47963 - Yellow w/ Grommet	LED	12V	.05A	NA
47962-5 - Red w/ Grommet, Retail Pack	LED	12V	.05A	NA
47963-5 - Yellow w/ Grommet, Retail Pack	LED	12V	.05A	NA
47982 - Red, Clear Lens w/ Chrome Bezel	LED	12V	.05A	NA
47953 - Yellow w/ Chrome Bezel	LED	12V	.05A	NA
45282 - Red - PC Rated	LED	12V	.05A	NA
45283 - Yellow - PC Rated	LED	12V	.05A	NA
47972 - Red w/ Grommet - PC Rated	LED	12V	.05A	NA
47973 - Yellow w/ Grommet - PC Rated	LED	12V	.05A	NA
47983 - Yellow, Clear Lens w/ Chrome Bezel	LED	12V	.05A	NA

grote.com

2600 Lanier Drive, Madison, Indiana U.S.A. 47250-0550

U.S. 800.628.0809 Canada 800.268.5612

Grote

The first name in vehicle safety systems®