

Surface Mount Bracket for 4" Lamps

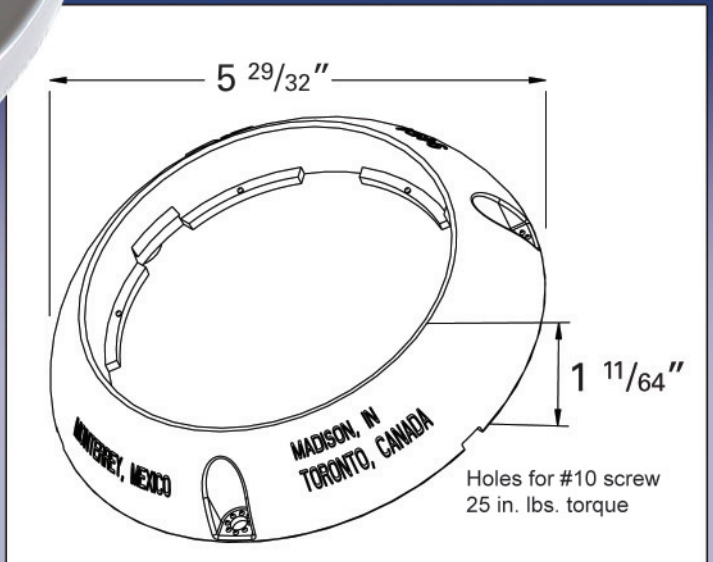
Product Data Sheet 94540

February 2007



Product Features and Benefits:

- Low profile bracket allows for more headroom than similar surface mount incandescent lamps
- Radius edges give greater bump deflection than standard surface lamp mounting options
- Surface mount bracket is suitable for all Grote flat backed, hard wired 4" lamps for dome, back-up, strobe and stop/tail/turn applications
- Bracket accommodates hard wired lamps but can use Male Pin or Hard Shell connections if appropriate cutouts are made



94540

Material: Polycarbonate
Finish: Gray

Part Number	Market	Light Source	Operating Voltage	Current Draw	Interchange
94540 (94540-3 bulk)	Truck/Trailer	NA	NA	NA	NA

Grote
The first name in
vehicle safety systems®

2600 Lanier Drive Madison, Indiana U.S.A 47250-0550
U.S. 800.457.9540 Canada 800.268.5612

www.grote.com

GLB-2007-57