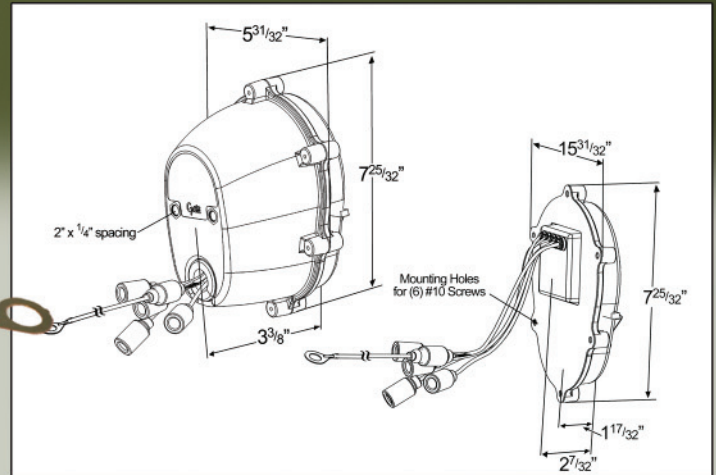


MILITARY STOP/TAIL/TURN LED LAMP

Product Data Sheet

July 2009



- Operates at 10-34 Volts to accommodate 14 and 28 Volt systems
- 100,000 hour LED life
- Polycarbonate lens, housings and buckets
- Standard Military Connectors and fasteners
- Camouflaged Blackout Marker

Product Features and Benefits:

- Designed to comply with FMVSS108, MILSTD1179/461E and follows the guidelines of STANAG 4381 Agreement
- Bucket mounting screws facilitate removal with standard and phillips style screwdrivers.
- Grote Military Products has also provided several attractive options to its Legacy Advanced Lighting System (LALS) such as molded Polycarbonate lenses, housings, and buckets offered in Military Green, Desert Tan, Military Brown or Military Black.

All versions:

Material: Polycarbonate

Finish: Military Green, Desert Tan, Military Brown or Military Black

Voltage/Amp: 14V - .205(I,S)/.029(T)

28V - .110(I,S)/.024(T)

14V/28V - .0116 (Blackout Tail/Stop)

All versions available as Bulk (-3)

Part #	Color	Style	NSN
82222	Black	Lamp Only	TBD
82022	Green	Lamp Only	6220-01-544-5796
82172	Tan	Lamp Only	6220-01-544-5789
82182	Black	With Bucket	TBD
82042	Green	With Bucket	6220-01-544-5793
82212	Tan	With Bucket	6220-01-544-5775
82602	Black	HMMWV Only	6220-01-566-4728
82322	Green	HMMWV Only	TBD
82332	Tan	HMMWV Only	TBD

Style	Weight	Light Source	Operating Voltage
W Bucket	27.2 oz	LED	10V-34V
W/o Bucket	19.5 oz	LED	10V-34V

Grote
The first name in
vehicle safety systems®

2600 Lanier Drive Madison, Indiana U.S.A. 47250-0550

U.S. 800.457.9540 Canada 800.268.5612

www.grote.com