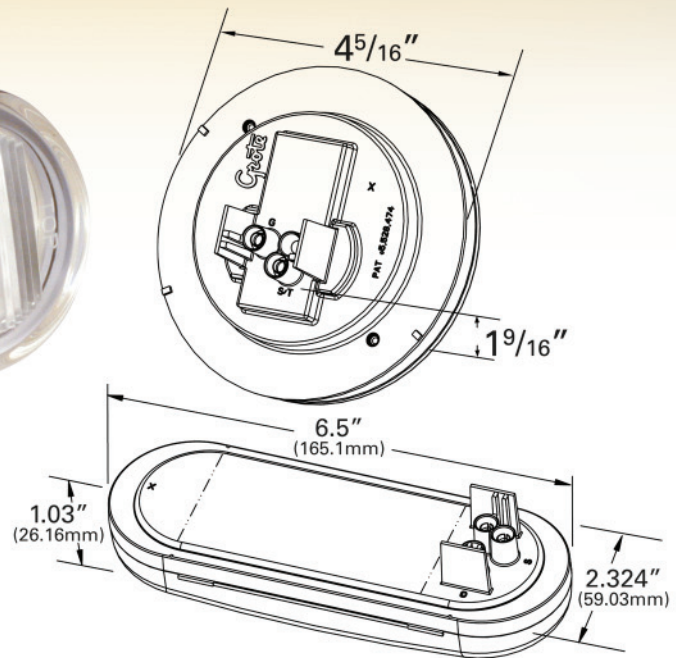


Grote-Select™ LED Dual System Back-up Lamps



Product Information Sheet

Clean light for improved safety in vehicle back-up situations. LED reliability means these lamps outlast incandescent rivals.



Product Features and Benefits:

- Fits standard 4" or oval lamp grommets and brackets
- Hermetically sealed lamp prevents water intrusion
- Requires two lamps to meet back-up function

62691 - 4" Round Female Pin
62751 - Oval Female Pin

Material: ABS/Acrylic
Finish: Clear /White Body
FMVSS: R2

Part Number	Market	Light Source	Operating Voltage	Current Draw	Interchange
62691 4" Round	Truck Body	LED	13.5V	.55 AMP	NA
62751 Oval	Truck Body	LED	13.5V	.33 AMP	NA



The first name in
vehicle safety systems®

2600 Lanier Drive Madison, Indiana U.S.A. 47250-0550
U.S. 800.457.9540 Canada 800.268.5612

www.grote.com