

# Torsion Mount® III Oval Back Up Lamp

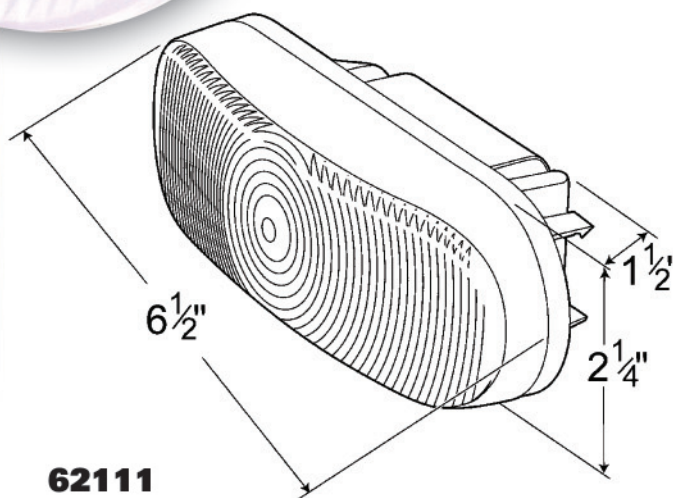
## Product Data Sheet 62111

August 2007



### Product Features and Benefits:

- Fits standard oval lamp grommets and brackets
- Torsion Mount® III, Gel Mount® bulb cradle technology increases bulb life due to vibration damage
- Male-Pin UBS® connection technology utilizes O-ring seals and Pigtail Locking Tabs to help eliminate the threat of corrosion from water intrusion
- Meets back-up function for single lamp system



### 62111

Material: Polycarbonate

Finish: Clear /White Body

Voltage/AMP: 12V - 2.2 AMP

FMVSS: R

Part Number	Market	Light Source	Operating Voltage	Current Draw	Interchange
62111	Truck Body Applications	Incandescent	12V	2.2 AMP	Truck-lite 69203C Peterson M416



The first name in  
vehicle safety systems®

2600 Lanier Drive Madison, Indiana U.S.A 47250-0550  
U.S. 800.457.9540 Canada 800.268.5612

[www.grote.com](http://www.grote.com)