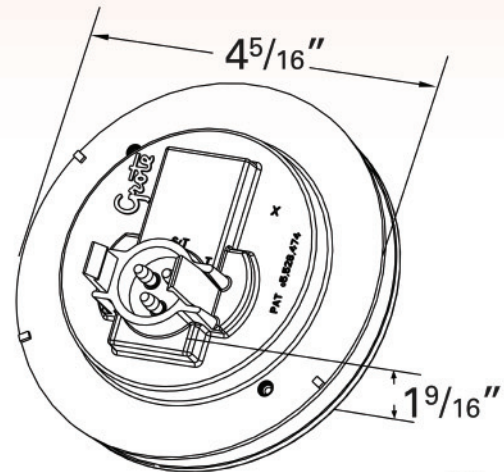


# SuperNova<sup>®</sup>, 4" NexGen<sup>™</sup> LED Stop/Tail/Turn Lamp



## Product Information Sheet

Durable OEM termination styles provide a long lasting trouble free lamp.



Hard Shell

### Product Features and Benefits:

- Less current draw than standard incandescent lamps for increased fuel efficiency and more power available to other vehicle systems
- Uses existing pigtailed and wiring for cost effective retrofit
- Lower overall weight, compared to existing LED products, contributes to better fuel efficiency
- 20% less current draw than major competitor LED products
- Fits all Grote bracket and grommet mounting options
- Fully encapsulated circuitry provides protection from the elements
- Similar look to incandescent light which helps prevent theft

### Product Specs:

- 54332** Red, Male Pin
- 54333** Yellow, Male Pin
- 54362** Red, Hard Shell
- 54363** Yellow, Hard Shell

Material: Polycarbonate/Acrylic  
 FMVSS: S/T/T - I, P2, S, T - Auxiliary - P2  
 Finish: White/Red/Yellow  
 Voltage/Amp: Red - 12V - .24A (I,S)/.03A (T)

Part Number	Market	Light Source	Operating Voltage	Amperage	Interchange
54332 - Male Pin	Truck and Trailer	Red LEDs	12V	.24A (I,S)/.03A (T)	NA
54333 - Male Pin	Truck and Trailer	Yellow LEDs	12V	.24A (I,S)/.03A (T)	NA
54362 - Hard Shell	Truck and Trailer	Red LEDs	12V	.24A (I,S)/.03A (T)	NA
54363 - Hard Shell	Truck and Trailer	Yellow LEDs	12V	.24A (I,S)/.03A (T)	NA



2600 Lanier Drive Madison, Indiana U.S.A 47250-0550  
 U.S. 800.628.0809 Canada 800.268.5612

[www.grote.com](http://www.grote.com)