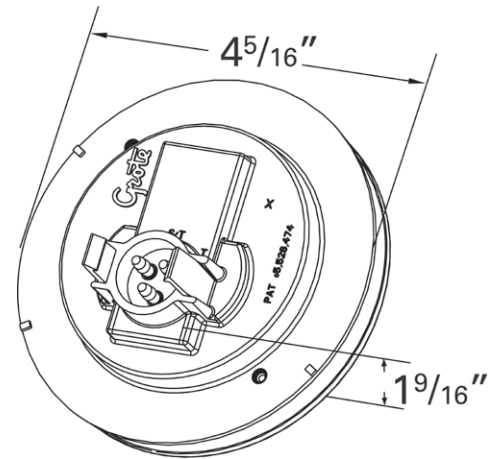


SuperNova[®] NexGen[™] 4" LED Stop/Tail/Turn Lamp

Product Information Sheet

STOP / TAIL / TURN

LED



Hard Shell

Durable OEM termination styles provide a long lasting trouble free lamp.

PRODUCT FEATURES AND BENEFITS

- Longer life than incandescent lamps
- Faster light-on response time, for safety, provides increased stopping alert distance than incandescent lamps
- Less current draw than standard incandescent lamps for increased fuel efficiency, more voltage available to other vehicle systems
- Fits all Grote bracket and grommet mounting options
- Similar look to incandescent light alleviates theft concerns
- Hermetic lens to housing seal prevents moisture intrusion

PRODUCT SPECIFICATIONS

MATERIAL: POLYCARBONATE/ACRYLIC
FMVSS: S/T/T - I, P2, S, T - AUXILIARY - P2
FINISH: RED/YELLOW
VOLTAGE AMP: RED - 12V - .24A (I,S)/.03A (T)

Part Number	Market	Light Source	Operating Voltage	Amperage	Interchange
54332 - MALE PIN	TRUCK AND TRAILER	RED LEDS	12V	.24A (I,S)/.03A (T)	NA
54333 - MALE PIN	TRUCK AND TRAILER	YELLOW LEDS	12V	.24A (I,S)/.03A (T)	NA
54362 - HARD SHELL	TRUCK AND TRAILER	RED LEDS	12V	.24A (I,S)/.03A (T)	NA
54363 - HARD SHELL	TRUCK AND TRAILER	YELLOW LEDS	12V	.24A (I,S)/.03A (T)	NA

grote.com

2600 Lanier Drive, Madison, Indiana U.S.A. 47250-0550

U.S. 800.628.0809 Canada 800.268.5612

Grote

The first name in vehicle
safety systems[®]