

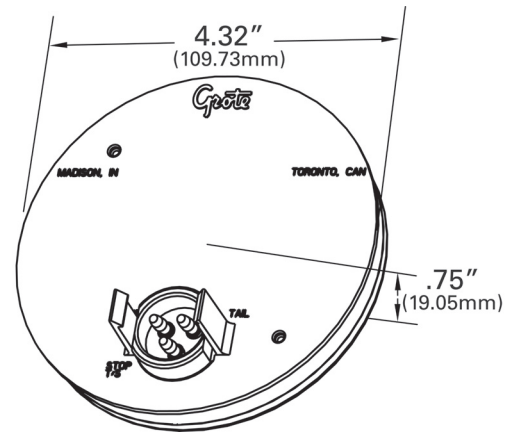
4" LED WhiteLight™ Dome Lamp

Product Information Sheet

INTERIOR LIGHTING



Pictured with integrated flange



Brighter than any 4" dome lamp on the market today

PRODUCT FEATURES AND BENEFITS

- Uses 70% less power than incandescent options
- Integrated flange for easy installation
- 2X Brighter than 61971 and 61141
- Brighter than any 4" dome lamp on the market today
- Male Pin for multiple pigtail and connection options

PRODUCT SPECIFICATIONS

MATERIAL: POLYCARBONATE / ACRYLIC
FINISH: CLEAR / CLEAR
VOLTAGE AMP: 12V – 0.6A, 24V – 0.3A
PIGTAIL: 66815, 66845, 67005

Part Number	Market	Light Source	Operating Voltage	Amperage	Interchange
61E01 integrated flange	Truck/Trailer/Body/Emergency	LEDs	12V	.6A	NA
61E11 integrated flange	Truck/Trailer/Body/Emergency	LEDs	24V	.3A	NA
61E41 grommet mount	Truck/Trailer/Body/Emergency	LEDs	12V	.6A	NA
61E51 grommet mount	Truck/Trailer/Body/Emergency	LEDs	24V	.3A	NA

grote.com

2600 Lanier Drive, Madison, Indiana U.S.A. 47250-0550

U.S. 800.628.0809 Canada 800.268.5612

Grote

The first name in vehicle safety systems®