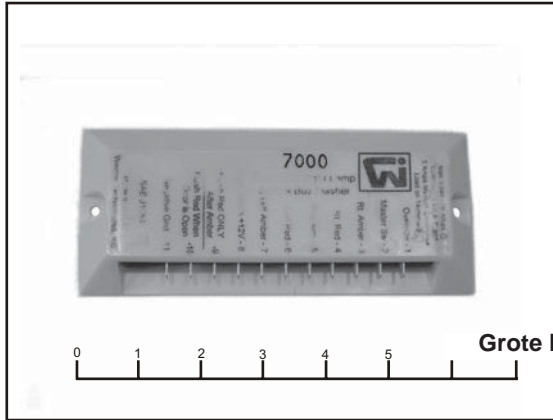


FLASHER REPLACEMENT INSTRUCTIONS

CONVERTING Weldon Model 7000 To Grote Model 44900

Weldon Model 7000



Grote Model 44900



Wiring Conversion Chart

Wire On

Weldon Model 7000

Terminal	Description
1	Override
2	Master Switch
3	Rt Amber
4	Rt Red
5	Stop Arm
6	Left Red
7	Left Amber
8	Start Switch
9	Flash Red ONLY After Amber
10	Flash Red When Door is Opened
11	Negative Ground

Goes to

InPower Model SBF90

Terminal	Description
1	Override Switch
2	Master Switch
3	Right Amber Lights
4	Right Red Lamps
5	Stop Arm
6	Left Red Lights
7	Left Amber Lights
8	Start Switch
9	Flash Red ONLY After Amber
10	Flash Red When Door is Opened
11	Ground

NOTES:

- 1 Weldon unit shown is "new" type and includes terminal numbers. The older Weldon 7000 is larger and does not include terminal numbers. However, the terminal functions and layout are the same.
- 2 See Figure 1 & 2 for wiring details.

FLASHER REPLACEMENT INSTRUCTIONS

CONVERTING Transpec Model 6500 To Grote Model 44900

Figure 1 Wiring Before Flasher Conversion

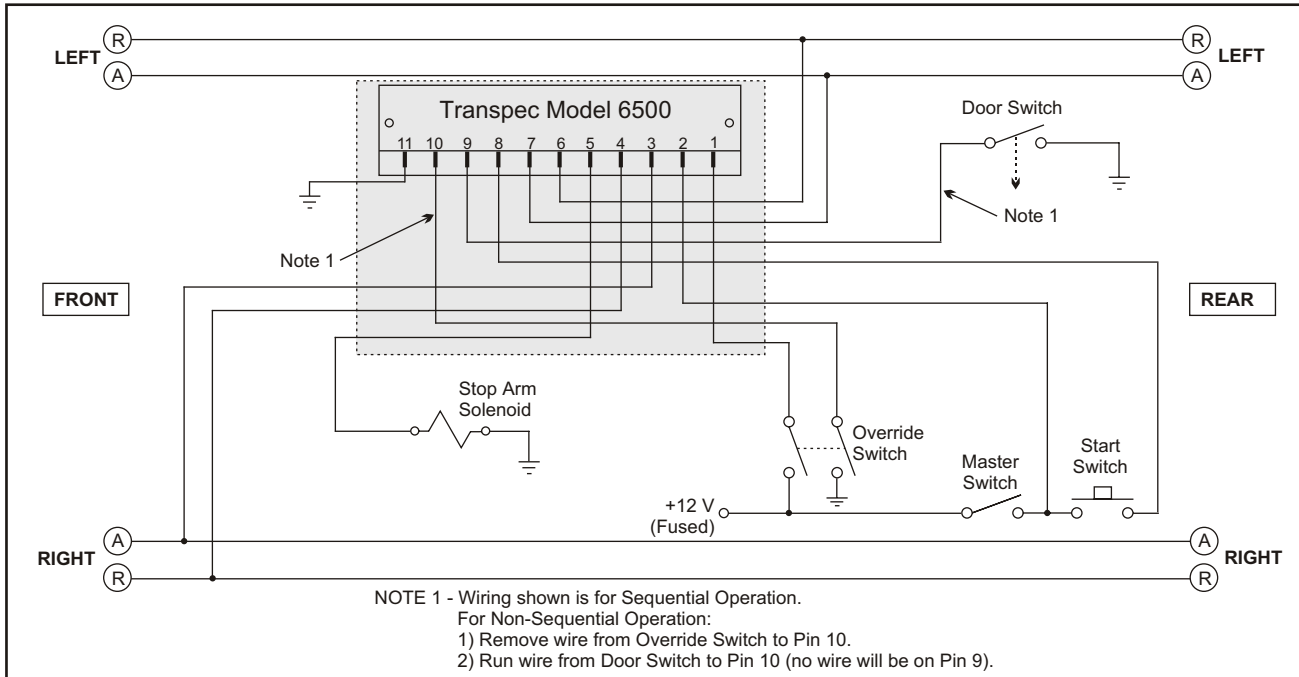


Figure 2 Wiring After Flasher Conversion

